

# HSUN

## Parts Catalog

### HS900UTV



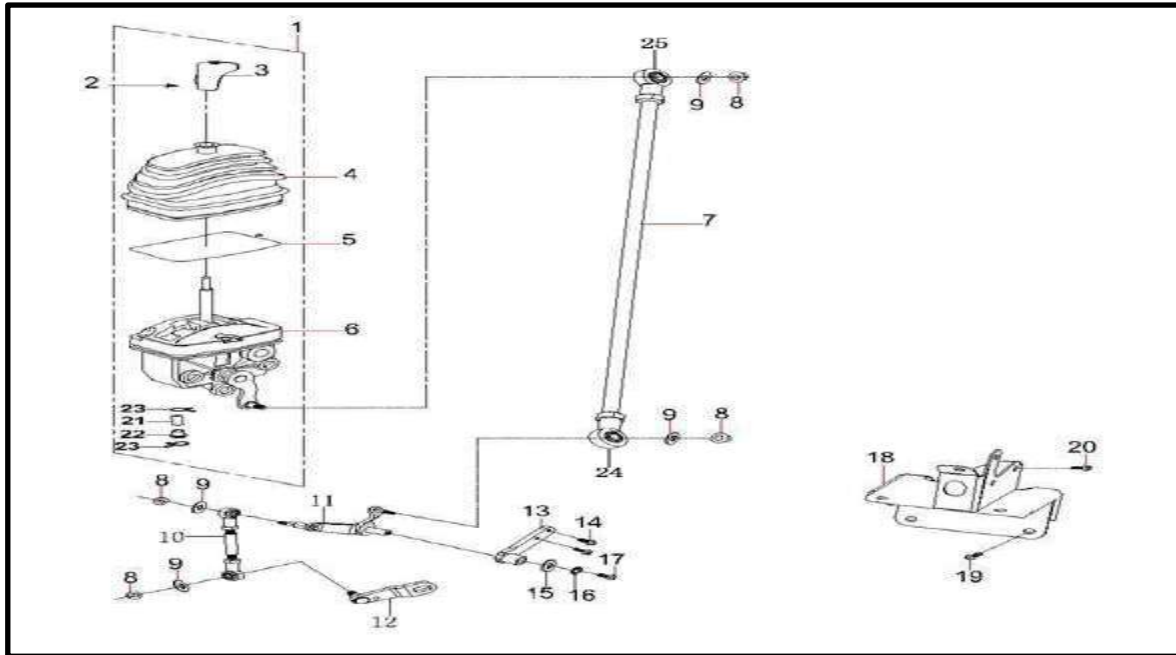
# UNIVERSAL

## HARDWARE®

Box 585, Center Road  
Spanish Lookout  
Tel 501 823 0254  
sales@universalhardware.bz

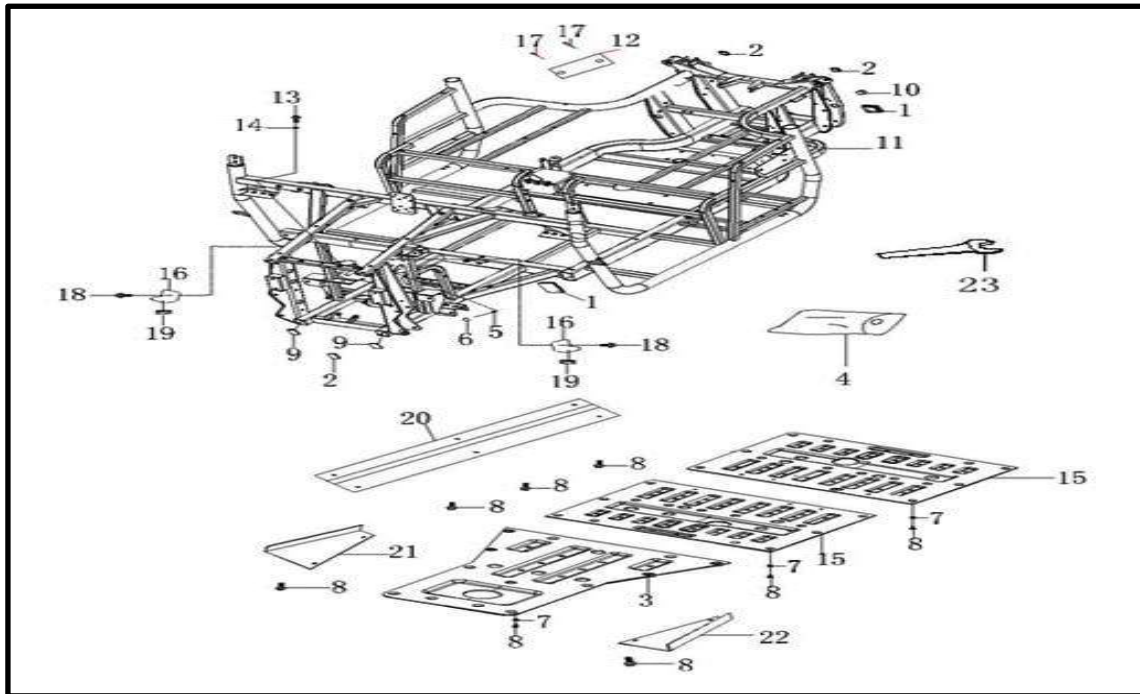
3380 Chetumal Street  
Belize City  
Tel 501 224 4140  
salesbz@universalhardware.bz

# Shift Operating System



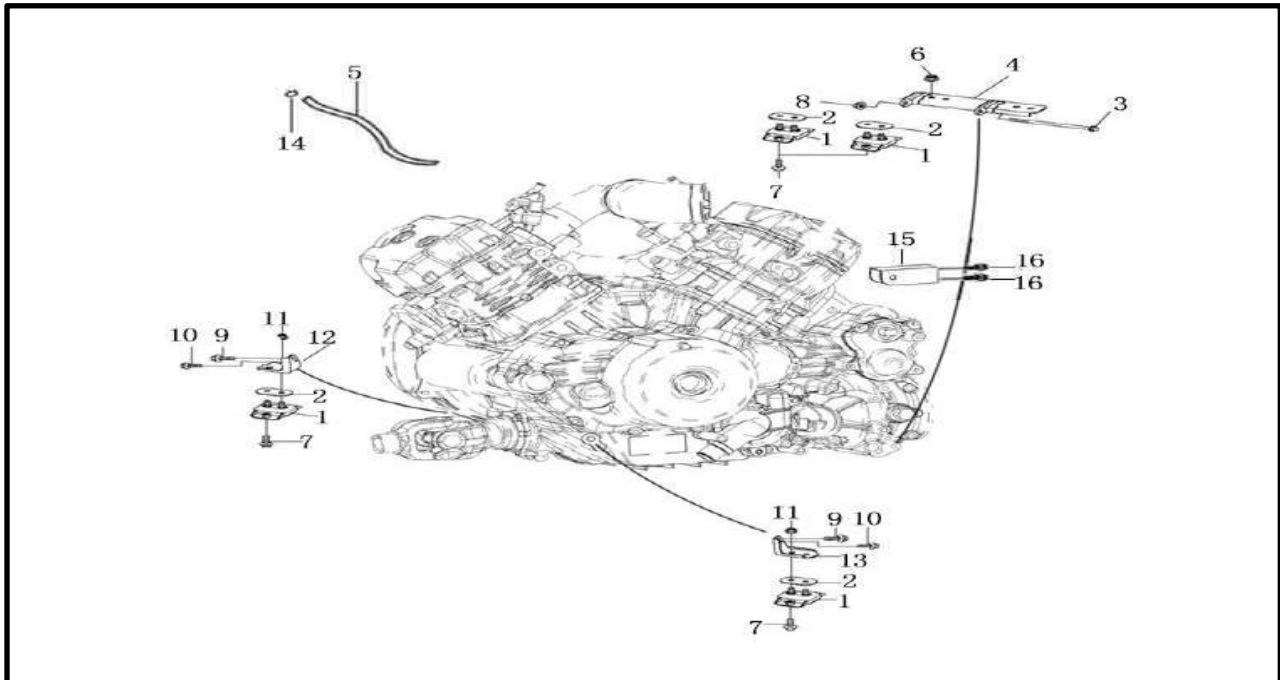
1	P116000234100000	Shifting Operation Assy
2	P115000234110000	Plastic Screw
3	P115000234130000	Gearshift Knob
4	P116000234120000	Gearshift Boot
5	P115000234150000	Rubber Cover Clamp
6	P116000234160000	Shifting Operation
7	P1160002342A0000	Gear Lever
8	BGB6187-M6	Hexagon Flange Locked Nut M6
9	BGB96.1-6	Plain washer 6
10	P3090032342A0000	Gear Lever II
11	P3170012345A0000	Gear Shift Steering Arm Welding Assembly I
12	P1160002332A0000	Gearshift Arm
13	P317001234800000	Gear Shifting Support
14	BGB16674-M8×16	HexagonFlangeBoltM6×16
15	BGB93-8	Spring Washer 8
16	BGB97.1-8	Plain washer 8
17	BGB16674-M8×20	Hexagon Flange Bolt M8×20
18	P116000515410000	Gear Shifting Support
19	BGB16674-M8×16	HexagonFlangeBoltM6×16
20	BGB16674-M8×12	Hexagon Flange Bolt M8×12
21	P115000234180000	Over Flow Pipe
22	P115000234210000	Over Flow Pipe Plug
23	PJ00000964001500	Hoop Spring
24	P116000234310000	Tie Rod(L)
25	P116000234320000	Tie Rod(R)

# Frame



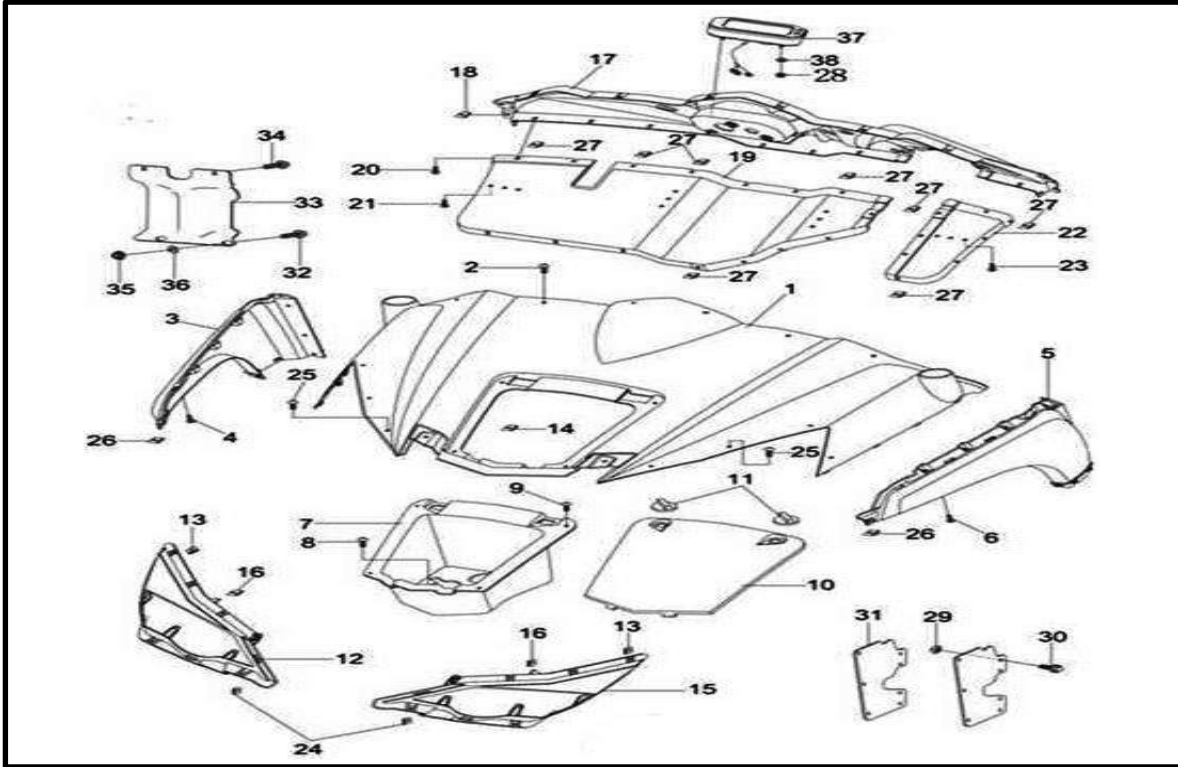
1	PJ00000824200100	Plastic Plug 60×40
2	PJ00000924200000	Frontplug25×40
3	P116000825050000	Front Bottom Protective Plate
4	P115000891000000	Tool Kit
5	BGB6177.1-M6-BA	Hexagon Flange Nut M6
6	BGB16674-M6×55-BA	HexagonFlangeBoltM6×55
7	P115000515240000	Cap Washer
8	BGB16674-M6×16	Hexagon Flange Bolt M6×16
9	PJ00000924200200	Plastic Plug 40×40
10	PJ00000924400100	Rubberplugφ29×φ36×8
11	P317001511000000	Frame Joint Parts
12	P115H00092100000	Aluminum Label(EEC)
13	BGB16674-M6×16	Hexagon Flange Bolt M6×16
14	BGB6177.1-M6	Hexagon Flange Nut M6
15	P116000825060000	Middle Lower Protective Plate
16	P116000192020000	Water Tank Mounting Bracket
17	BGB12618-3.2×12	Rebite 3.2×12
18	BGB16674-M8×16	HexagonFlangeBoltM6×16
19	PJ00000931250200	Damping Pad Φ9×2.5
20	P116000516550000	Engine Oil Pipe Protective Plate III
21	P116000516530000	Engine Oil Pipe Protective Plate I
22	P116000516540000	Engine Oil Pipe Protective Plate II
23	P116000891020000	Adjustment wrench, Shock Absorber

# Engine Bracket



1	P1160000030A0000	Mounting Seat Engine
2	P116000001200000	Engine Damping Pad
3	BGB16674-M10×1.25×175	Hexagon Flange Bolt M10×1.25×175
4	P116000002100000	Engine Suspension Support I
5	P107000237010000	Gearbox Pipe
6	BGB6187-M10×1.25	Hexagon Flange Locked Nut M10×1.25
7	BGB16674-M10×1.25×20	Hexagon Flange Bolt M10×1.25×20
6	BGB6187-M10×1.25	Hexagon Flange Locked Nut M10×1.25
9	BGB16674-M6×20	Hexagon Flange Bolt M6×20
10	BGB16674-M8×20	Hexagon Flange Bolt M8×20
11	BGB6187-M10×1.25	Hexagon Flange Locked Nut M10×1.25
12	P116000002200000	Engine Suspension Support II
13	P116000002300000	Upper Engine Suspension III
14	PJ00000907100100	Elastic Hoop B
15	P111001002400000	Hanging Assy IV, Engine
16	BGB16674-M8×20	Hexagon Flange Bolt M8×20

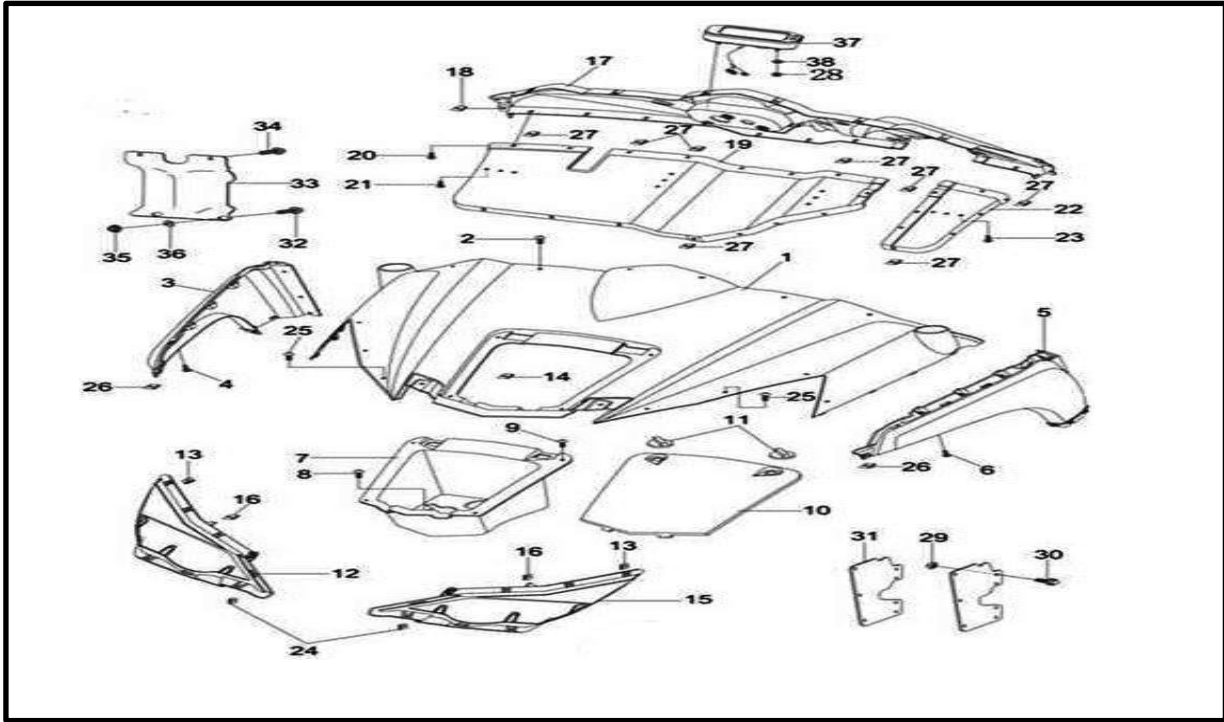
# Front Panel



1	P11600082208000012	Front Cover: White
	P11600082208000022	Front Cover: Black
	P11600082208000031	Front Cover: Red
	P11600082208000033	Front Cover: Dark Red
	P11600082208000040	Front Cover: Orange
	P11600082208000051	Front Cover: Yellow
	P11600082208000061	Front Cover: Light Green
	P11600082208000062	Front Cover: Camo Green
	P11600082208000063	Front Cover: Dark Green
	P11600082208000070	Front Cover: Blue
	P11600082208000072	Front Cover: Bahama Blue
	P11600082208000041	Front Cover: Bahama : Sun Rise Orange
	P11600082208000093	Front Cover: Vista Camouflage
	P11600082208000094	Front Cover: G2 Camouflage
	P11600082208000095	Front Cover: Wal-Mart Camouflage
P11600082208000096	Front Cover: MASSIMO Camouflage	
2	PJ00000905200600	Cross Large Plate Head Screw M6x20
3	P11600082210000012	Right Fender I Front Cover: White
	P11600082210000022	Right Fender I Front Cover: Black
	P11600082210000031	Right Fender I Front Cover: Red
	P11600082210000033	Right Fender I Front Cover: Dark Red
	P11600082210000040	Right Fender I Front Cover: Orange
	P11600082210000051	Right Fender I Front Cover: Yellow
	P11600082210000061	Right Fender I Front Cover: Light Green
	P11600082210000062	Right Fender I Front Cover: Camo Green
	P11600082210000063	Right Fender I Front Cover: Dark Green
	P11600082210000070	Right Fender I Front Cover: Blue
	P11600082210000072	Right Fender I Front Cover: Bahama Blue
	P11600082210000041	Right Fender I Front Cover: Bahama : Sun Rise Orange
	P11600082210000093	Right Fender I Front Cover: Bahama: Vista Camouflage
	P11600082210000094	Right Fender I Front Cover: Bahama: G2 Camouflage
	P11600082210000095	Right Fender I Front Cover: Bahama: Wal-Mart Camouflage
P11600082210000096	Right Fender I Front Cover: Bahama: MASSIMO Camouflage	

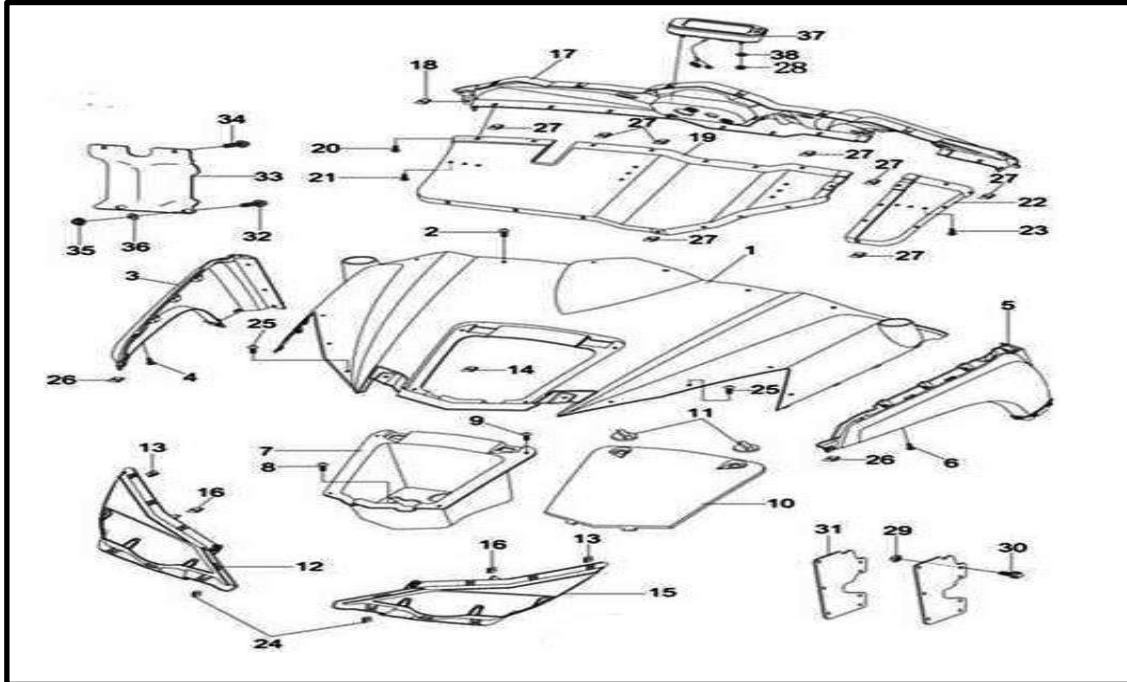


# Front Panel



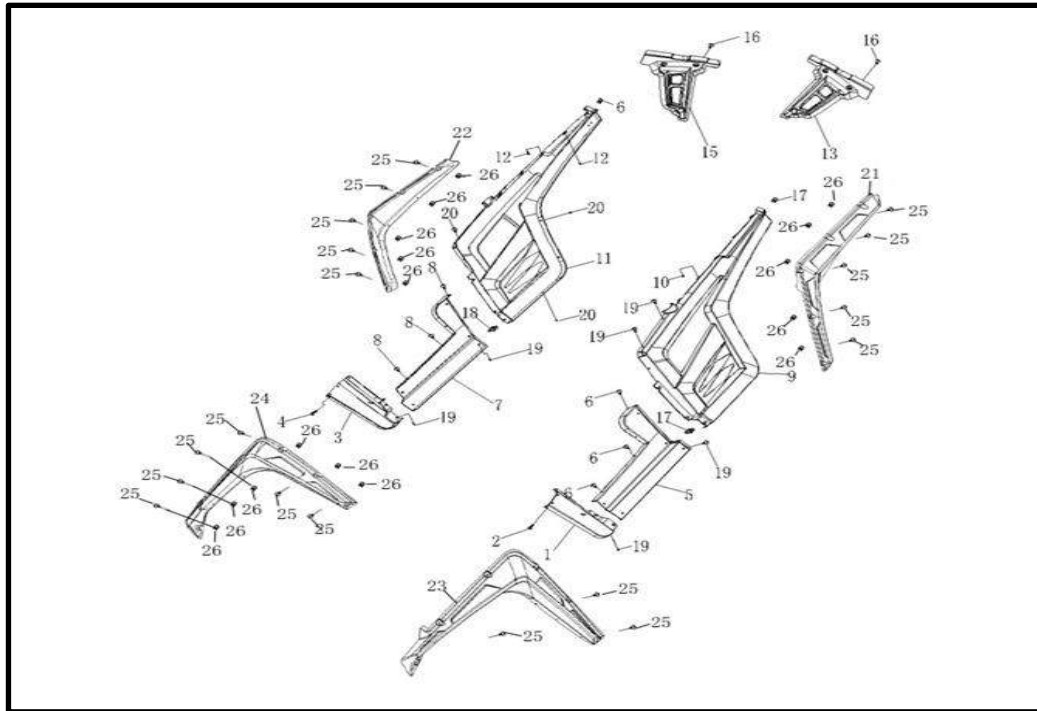
4	PJ00000903470100	Small Head Self-Drilling Screw St4.2x16
5	P11600082207000012	Left Fender I Front Cover: White
	P11600082207000022	Left Fender I Front Cover: Black
	P11600082207000031	Left Fender I Front Cover: Red
	P11600082207000033	Left Fender I Front Cover: Dark Red
	P11600082207000040	Left Fender I Front Cover: Orange
	P11600082207000051	Right Fender I Front Cover: Yellow
	P11600082207000061	Left Fender I Front Cover: Light Green
	P11600082207000062	Left Fender I Front Cover: Camo Green
5	P11600082207000063	Left Fender I Front Cover: Dark Green
	P11600082207000070	Left Fender I Front Cover: Blue
	P11600082207000072	Left Fender I Front Cover: Bahama Blue
	P11600082207000041	Left Fender I Front Cover: Bahama : Sun Rise Orange
	P11600082207000093	Left Fender I Front Cover: Vista Camouflage
	P11600082207000094	Left Fender I Front Cover: G2 Camouflage
	P11600082207000095	Left Fender I Front Cover: Wal-Mart Camouflage
P11600082207000096	Left Fender I Front Cover: MASSIMO Camouflage	
6	PJ00000903470100	Small Head Self-Drilling Screw St4.2x16
7	P116000823020000	Sundry Box
8	PJ00000905200500	Cross Large Plate Head Screw M6x16
9	PJ00000905200500	Cross Large Plate Head Screw M6x16
10	P11600082209000012	Cover Of Front Panel: White
	P11600082209000022	Cover Of Front Panel: Black
	P11600082209000031	Cover Of Front Panel: Dark Red
	P11600082209000033	Cover Of Front Panel: Red
	P11600082209000040	Cover Of Front Panel: Orange
	P11600082209000051	Cover Of Front Panel: Dark Yellow
	P11600082209000061	Cover Of Front Panel: Light Green
	P11600082209000062	Cover Of Front Panel: Camo Green
	P11600082209000063	Cover Of Front Panel: Dark Green
	P11600082209000070	Cover Of Front Panel: Blue
	P11600082209000072	Cover Of Front Panel: Bahama Blue
	P11600082209000041	Cover Of Front Panel: Bahama : Sun Rise Orange
	P11600082209000093	Cover Of Front Panel: Vista Camouflage
	P11600082209000094	Cover Of Front Panel: G2 Camouflage
P11600082209000095	Cover Of Front Panel: Camouflage	
P11600082209000096	Cover Of Front Panel: MASSIMO Camouflage	

# Front Panel



11	P115000895100000	Locker Sundry Box
12	P116000822030000	Headlight Mounting Cover Right
13	PJ00000903500300	Nut Holder M6×2
14	PJ00000903500300	Nut Holder M6×2
15	P116000822020000	Headlight Mounting Cover Left
16	PJ00000903500300	Nut Holder M6×2
17	P116000823010000	Dashboard
18	PJ00000903500300	Nut Holder M6×2
19	P116000825290000	Connection Plate(R)
20	PJ00000905200500	Cross Large Plate Head Screw M6×16
21	PJ00000905200400	CrossBigPlateHeadScrewM6×12
22	P116000825280000	Connection Plate(L)
23	PJ00000905200400	CrossBigPlateHeadScrewM6×12
24	PJ00000903500300	Nut Holder M6×2
25	PJ00000905200500	Cross Large Plate Head Screw M6×16
26	PJ00000903500300	Nut Holder M6×2
27	PJ00000903500300	Nut Holder M6×2
28	BGB6184-M6	Hexagon Flange Locked Nut M6
29	BGB6177.1-M6	Hexagon Flange Nut M6
30	PJ00000905200500	Cross Large Plate Head Screw M6×16
31	P116000825320000	Light Switch Cover
32	BGB16674-M10×1.25×45	Hexagon Flange BoltM10×1.25×45
33	P116000825330000	Wind Deflector II
34	BGB16674-M6×12	Hexagon Flange Bolt M6×12
35	BGB6187-M10×1.25	Hexagon Flange Locked Nut M10×1.25
36	PJ00000906050300	Plain Bushing φ10.5×φ25×3
37	P116000361000001	Meter Assy
38	BGB96.1-6	Plain washer 6

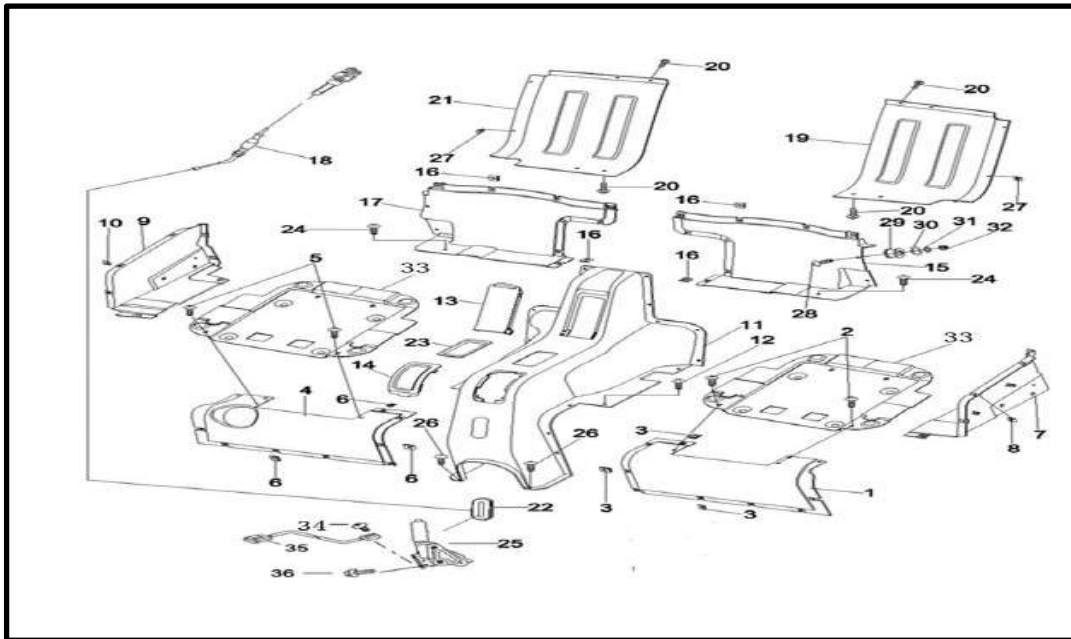
# Side Cover



1	P116000822120000	Left Fender Cover Front Body
2	PJ00000905200600	Cross Large Plate Head Screw M6×20
3	P116000822130000	Right Fender Cover Front Body
4	PJ00000905200600	Cross Large Plate Head Screw M6×20
5	P116000824160000	Left Foot Pedal Cover
6	PJ00000905200500	Cross Large Plate Head Screw M6×16
7	P116000824170000	Right Foot Pedal Cover
8	PJ00000905200500	Cross Large Plate Head Screw M6×16
9	P116000824060000	Left Board I
10	PJ00000905200400	Cross Big Plate Head Screw M6×12
11	P116000824120000	Right Board I
12	PJ00000905200400	CrossBigPlateHeadScrewM6×12
13	P116000828030000	Left Protective Plate Rear Body
14	PJ00000905200500	Cross Large Plate Head Screw M6×16
15	P116000828040000	Right Protective Plate Rear Body
16	PJ00000905200500	Cross Large Plate Head Screw M6×16
17	PJ00000903500300	Nut Holder M6×2
18	PJ00000903500300	Nut Holder M6×2
19	PJ00000905200500	Cross Large Plate Head Screw M6×16
20	PJ00000905200500	Cross Large Plate Head Screw M6×16
21	P116C00828070000	Left Fender Cover I Rear Body
22	P116C00828080000	Right Fender Cover I Rear Body
23	P116C00823360000	Left Fender Cover III Front Body
24	P116C00823370000	Right Fender Cover III Front Body
25	PJ00000905200500	Cross Large Plate Head Screw M6×16
26	BGB6177.1-M6	Hexagon Flange Nut M6

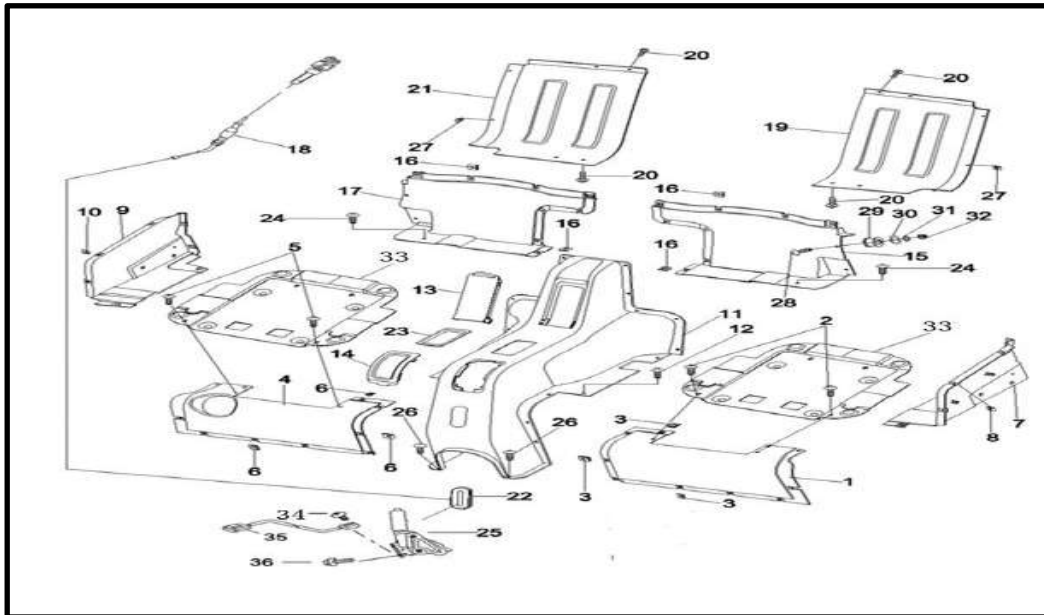


# Side Cover



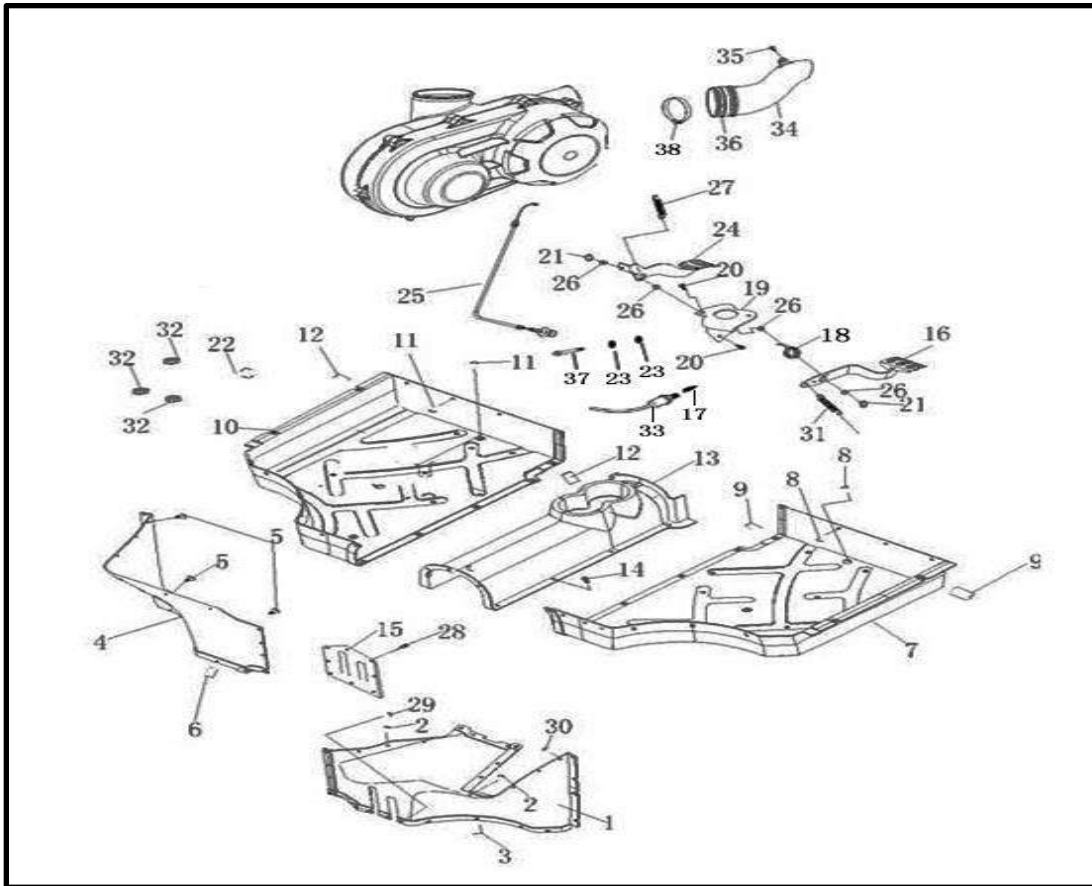
1	P116000824230000	Front Left Board Seat
2	PJ00000905200500	Cross Large Plate Head Screw M6×16
3	PJ00000903500300	Nut Holder M6×2
4	P116000824250000	Front Right Board Seat
5	PJ00000905200500	Cross Large Plate Head Screw M6×16
6	PJ00000903500300	Nut Holder M6×2
7	P116000824200000	Right Seat Board
8	PJ00000903500300	Nut Holder M6×2
9	P116000824070000	Left Seat Board
10	PJ00000903500300	Nut Holder M6×2
11	P116000824130000	Engine Cover Board
12	PJ00000905200500	Cross Large Plate Head Screw M6×16
13	P116000823030000	Sundry Box Cover
14	PJ00000515010000	Gearshift Lever Cover
15	P116000826030000	Rear Left Board Seat
16	PJ00000903500300	Nut Holder M6×2
17	P116000826040000	Rear Right Board Seat
18	PJ000004323A1000	Parking Cable R

# Side Cover



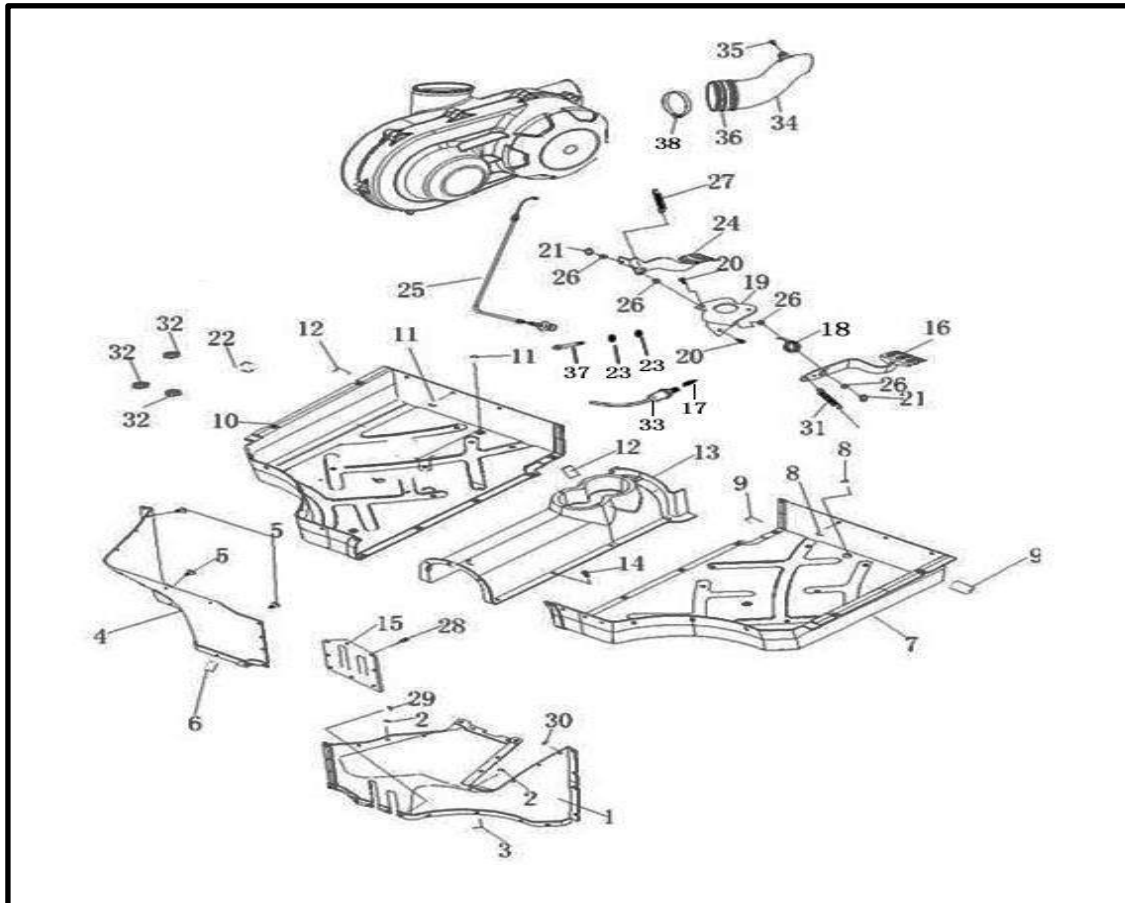
19	P116000825030000	Rear Left Mud-Guard Board
20	PJ00000905200500	Cross Large Plate Head Screw M6×16
21	P116000825040000	Rear Right Mud-Guard Board
22	PJ00000932000400	Anti-Dust Rubber Parking System
23	P116000829100000	Adjustable View Plate
24	PJ00000905200500	Cross Large Plate Head Screw M6×16
25	P116000433300000	Parking System
26	PJ00000905200600	Cross Large Plate Head Screw M6×20
27	PJ00000903500300	Nut Holder M6×2
28	PJ00000905200800	Cross Large Plate Head Screw M6×30
29	PJ00000931250300	┌-shapedrubberingφ9×φ19-10
30	BGB96.1-6	Plain washer 6
31	BGB93-6	Spring Washer 6
32	BGB6177.1-M6	Hexagon Flange Nut M6
33	P1160008244000023	Front Left Board V Seat
34	PJ00000905200400	CrossBigPlateHeadScrewM6×12
35	P116000373100000	Microswitch
36	BGB16674-M8×16	HexagonFlangeBoltM6×16

# Footrest



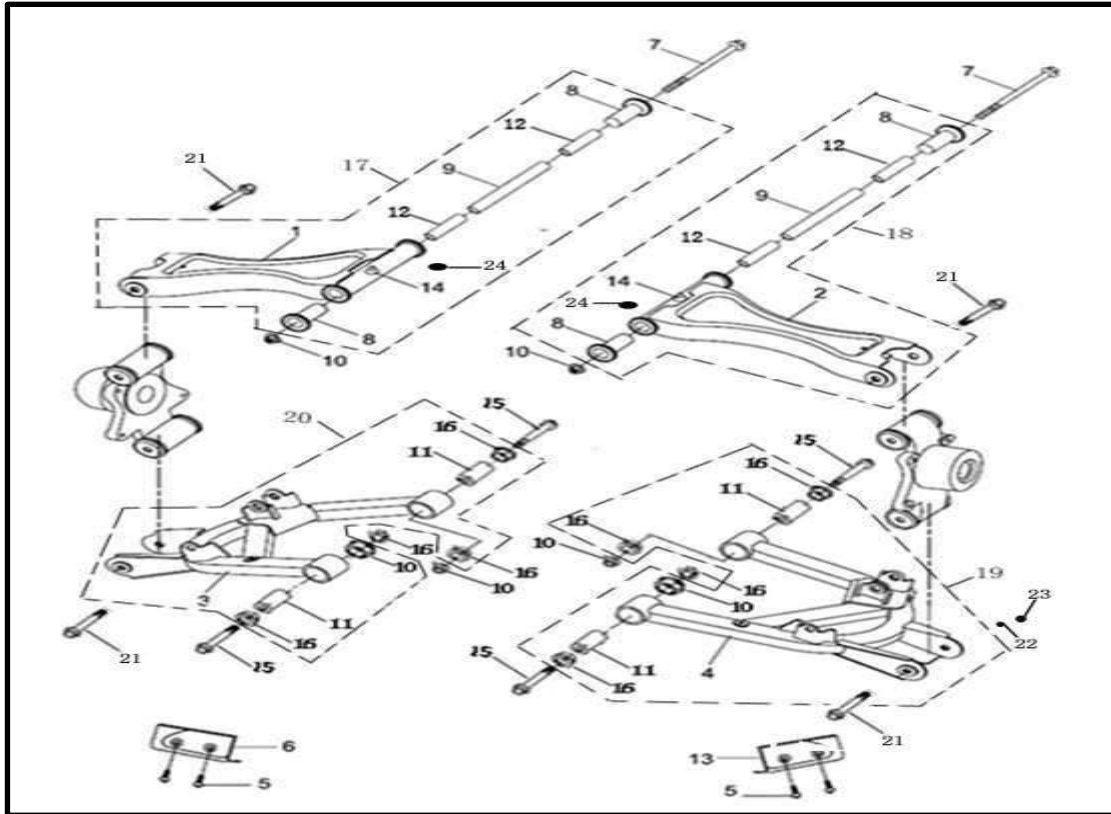
1	P116000825010000	Left Front Mud-Guard Board
2	PJ00000905200400	CrossBigPlateHeadScrewM6×12
3	PJ00000903500300	Nut Holder M6×2
4	P116000825020000	Right Front Mud-Guard Board
5	PJ00000905200500	Cross Large Plate Head Screw M6×16
6	PJ00000903500300	Nut Holder M6×2
7	P116000824020000	Left Footrest Protector
8	PJ00000905200500	Cross Large Plate Head Screw M6×16
9	PJ00000903500300	Nut Holder M6×2
10	P116000824040000	Right Footrest Protector
11	PJ00000905200500	Cross Large Plate Head Screw M6×16
12	PJ00000903500300	Nut Holder M6×2
13	P116000824030000	Axle Cover
14	PJ00000905200500	Cross Large Plate Head Screw M6×16
15	PJ00000932150100	Dustproof Plate Brake Pedal
16	P1160004311A0000	Parking Pedal
17	PJ00000961000300	Springφ1.2×φ7×38
18	PJ00000933001000	Torsional Spring K

# Footrest



19	P111000515080000	Brake Pedal Mounting Seat
20	BGB16674-M8×20	Hexagon Flange Bolt M8×20
21	BGB896-12	Lock washers
22	BGB16674-M6×50-BA	Hexagon Flange Bolt M6×50
23	BGB6170-M6	Hexagon Flange Nuts M6
24	P116000610600000	Accelerator Pedal
25	PJ000006103A1400	Accelerator Cable Q
26	PJ00000906050700	Washer φ15×Φ22×1.5
27	PJ00000961001100	Tension Spring L
28	P115000824260000	Plastic Screw
29	PJ00000905200600	Cross Large Plate Head Screw M6×20
30	PJ00000905200500	Cross Large Plate Head Screw M6×16
31	PJ00000961000200	Tension Spring C
32	PJ00000903500300	Nut Holder M6×2
33	P115000376000000	Lamp Switch Rear Break
34	P116000172190000	Clutch Intake Pipe I
35	BGB16674-M6×20	Hexagon Flange Bolt M6×20
36	P116000172210000	Connecting Bushing I Clutch Air-Inlet Pipe
37	BGB16674-M6×55-BA	Hexagon Flange Bolt M6×55
38	PJ00000907301100	Locking Hoop L

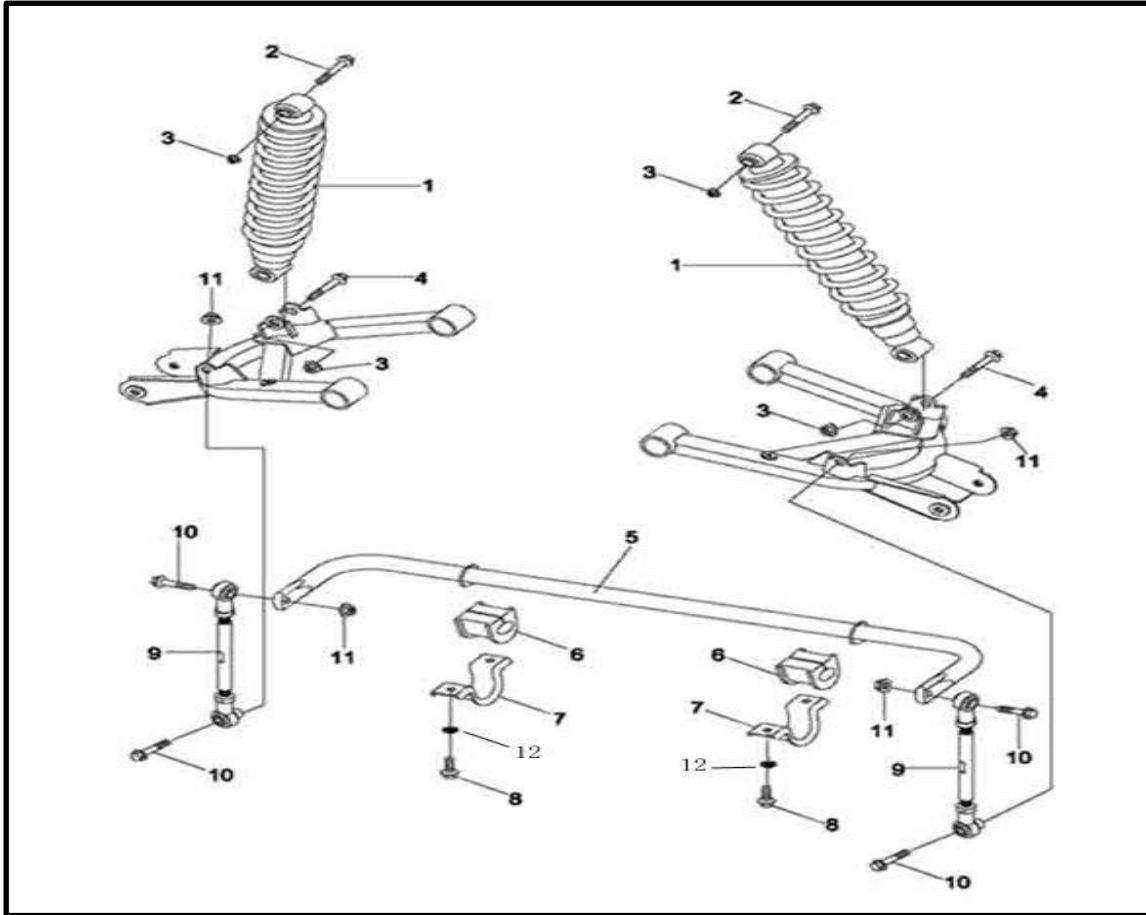
# Rear Swing Arm



1	P116C005540A0000	Rear Right Upper Swing Arm
2	P116C005530A0000	Rear Left Upper Swing Arm
3	P116C005545A0000	Rear Right Lower Swing Arm
4	P116C005535A0000	Rear Left Lower Swing Arm
5	PJ00000905200400	CrossBigPlateHeadScrewM6×12
6	P1160008251000000	Rear Swing Arm Shield (L)
7	BGB16674-M10×1.25×195	Hexagon Flange Bolt M10×1.25×195
8	PJ00000952000000	NylonBushφ15.5×φ19
9	PJ00000929009700	Bushφ10×φ15×176
10	BGB6187-M10×1.25	Hexagon Flange Locked Nut M10×1.25
11	PJ00000929009400	Cylindrical Bush Φ10.3×Φ23×49.4
12	PJ00000929007400	Cylindrical Bush φ10.2×φ15×45
13	P1160008251100000	Protective Board Rear Right Lower Swing Arm
14	P115000521080000	Iron Nipple
15	BGB16674-M10×1.25×70	Hexagon Flange Bolt M10×1.25×70
16	PJ00000952000200	Bushing Φ23×Φ28
17	P116C005540000000	Rear Right Upper Swing Arm Assy
18	P116C005530000000	Rear Left Upper Swing Arm Assy
19	P116C005535000000	Rear Left Lower Swing Arm Assy
20	P116C005545000000	Rear Right Lower Swing Arm Assy
21	BGB16674-M12×1.25×110	Hexagon Flange BoltM12×1.25×110
22	BGB97.1-12	Plain Bushing φ12
23	BGB6187-M12×1.25	Nut M12×1.25
24	PJ00000931000300	Rubber Plug φ29×φ36×8

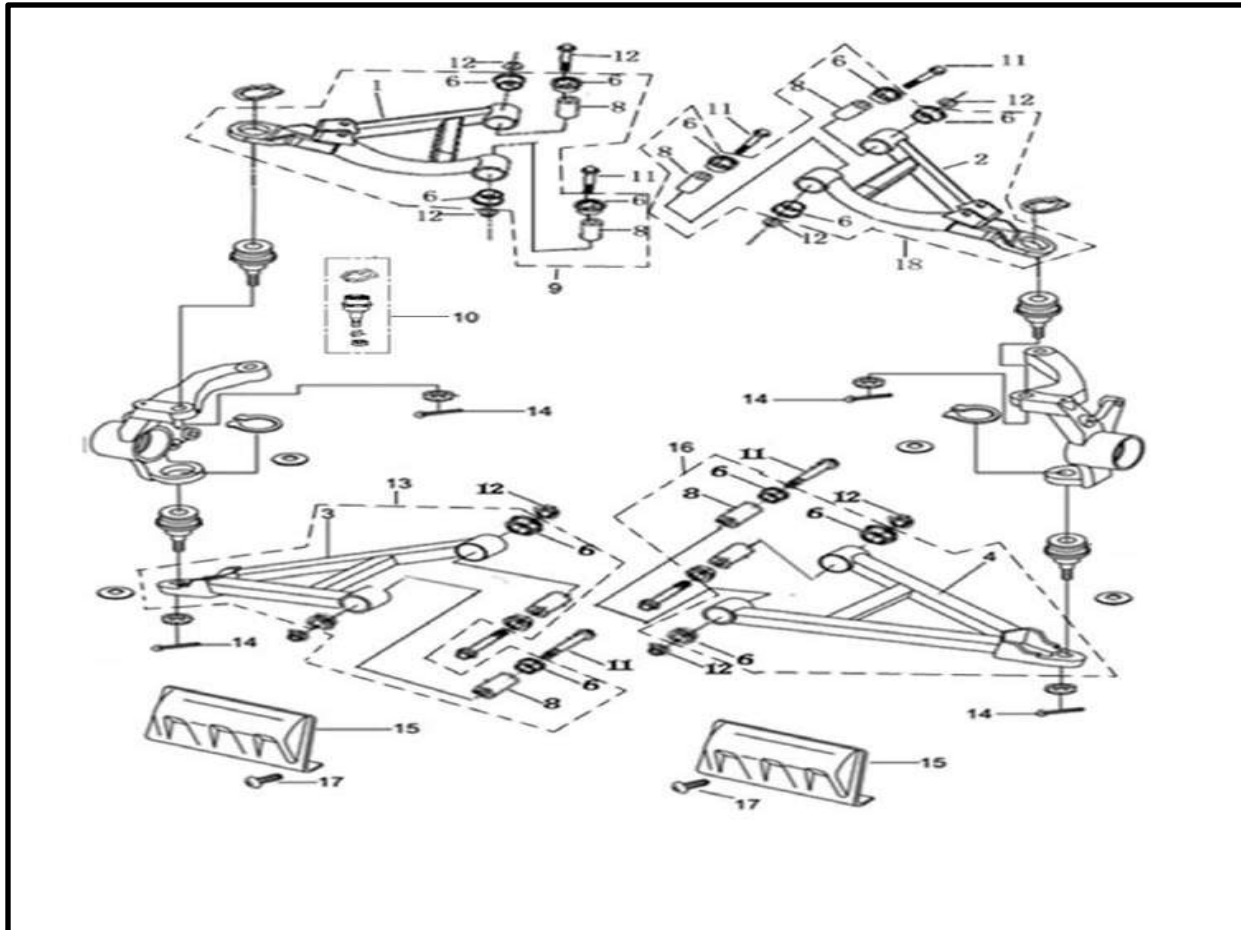


# Rearanti-rollbar



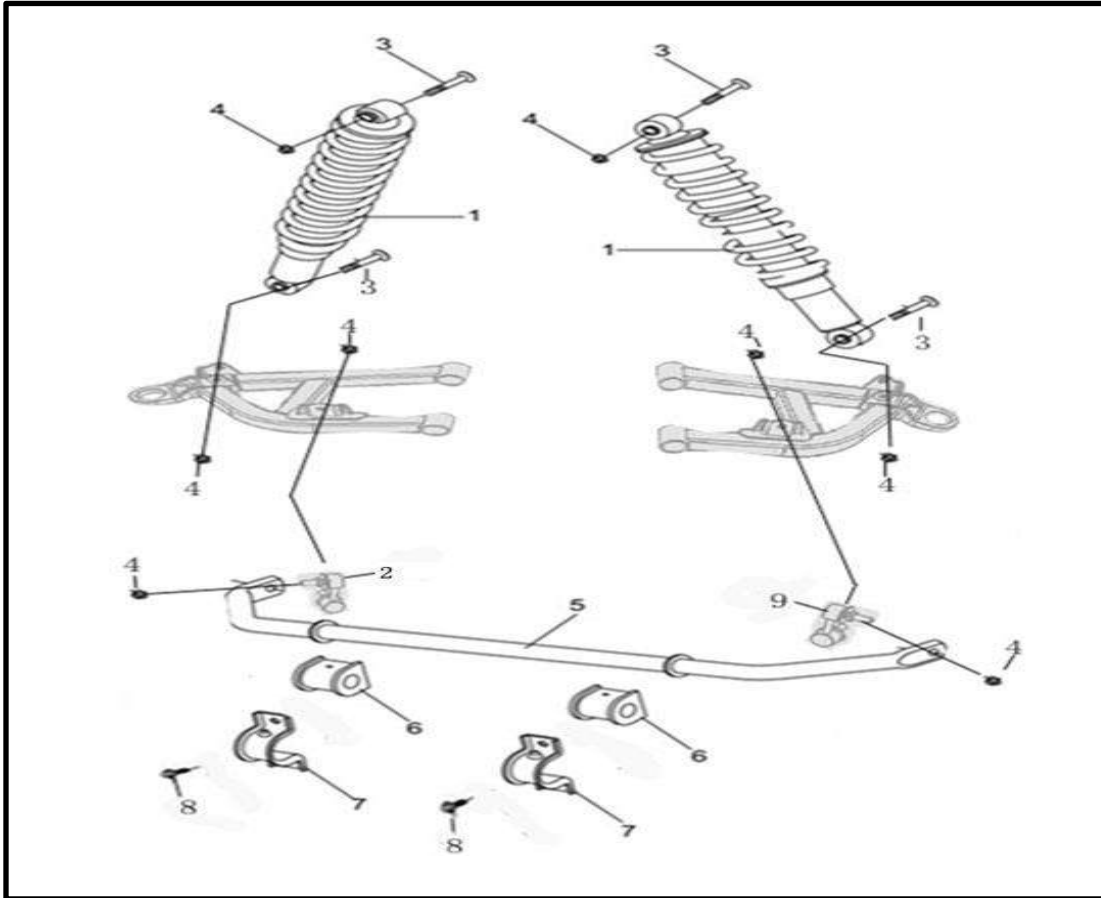
1	PJ00000551001400	Rear Shock Absorber
	PJ00000551000200	Rear Shock Absorber
2	BGB16674-M12×1.25×70	Hexagon Flange Bolt M12×1.25×70
3	BGB6187-M12×1.25	Nut M12×1.25
4	BGB16674-M12×1.25×65	Hexagon Flange Bolt M12×1.25×60
5	P116C005574A0000	Rear Anti-Roll Bar
6	PJ00000931400100	"U" type rubber bushing III
7	P115000515900000	Press Block, Rear Anti-Roll Bar
8	BGB16674-M8×20	Hexagon Flange Bolt M8×20
9	P116000557500000	Rear Anti-Roller Lever Assy
10	BGB16674-M10×1.25×40	Hexagon Flange Bolt M10×1.25×40
11	BGB6187-M10×1.25	Hexagon Flange Locked Nut M10×1.25
12	BGB93-8	Spring Washer 8

# Front suspension



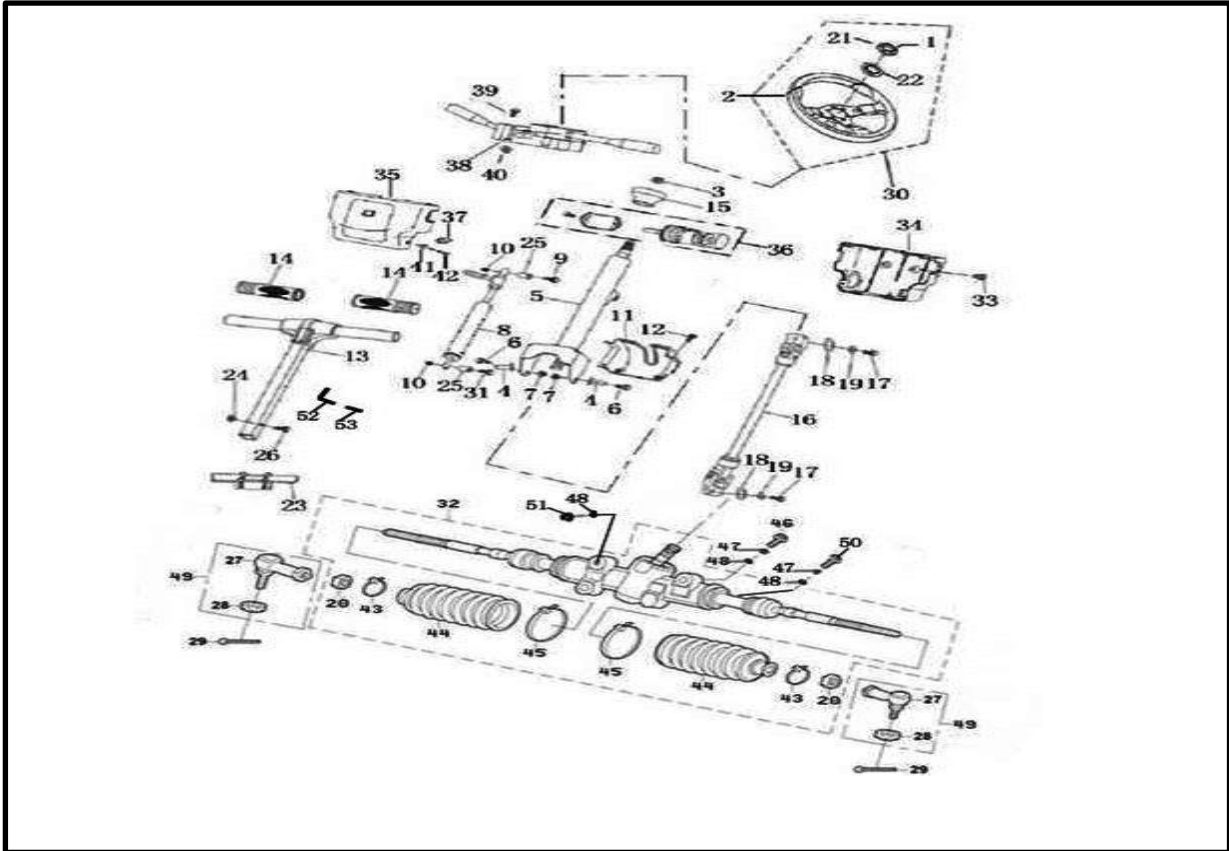
1	P116C005240A0000	Front Right Upper Swing Arm
2	P116C005230A0000	Front Left Upper Swing Arm
3	P116C005245A0000	Front Right Lower Swing Arm
4	P116C005235A0000	Front Left Lower Swing Arm
5	BGB16674-M10×1.25×70	Hexagon Flange Bolt M10×1.25×70
6	PJ00000952000200	Bushing Φ23×Φ28
7	BGB6187-M10×1.25	Hexagon Flange Locked Nut M10×1.25
8	PJ00000929009400	Cylindrical Bush Φ10.3×Φ23×49.4
9	P116C00524000000	Rear Right Upper Swing Arm Assy
10	PJ000005250A0400	Ball Joint E, Steering Knuckle
11	BGB16674-M10×1.25×70	Hexagon Flange Bolt M10×1.25×70
12	BGB6187-M10×1.25	Hexagon Flange Locked Nut M10×1.25
13	P116C00524500000	Rear Right Lower Swing Arm Assy
14	BGB91-2.5×30	Cotter Pin 2.5×30
15	P116000825300000	Protective Board, Front Swing Arm
16	P116C00523500000	Rear Left Lower Swing Arm Assy
17	PJ00000905200500	Cross Large Plate Head Screw M6×16
18	P116C00523000000	Rear Left Upper Swing Arm Assy

# Front Swing Arm



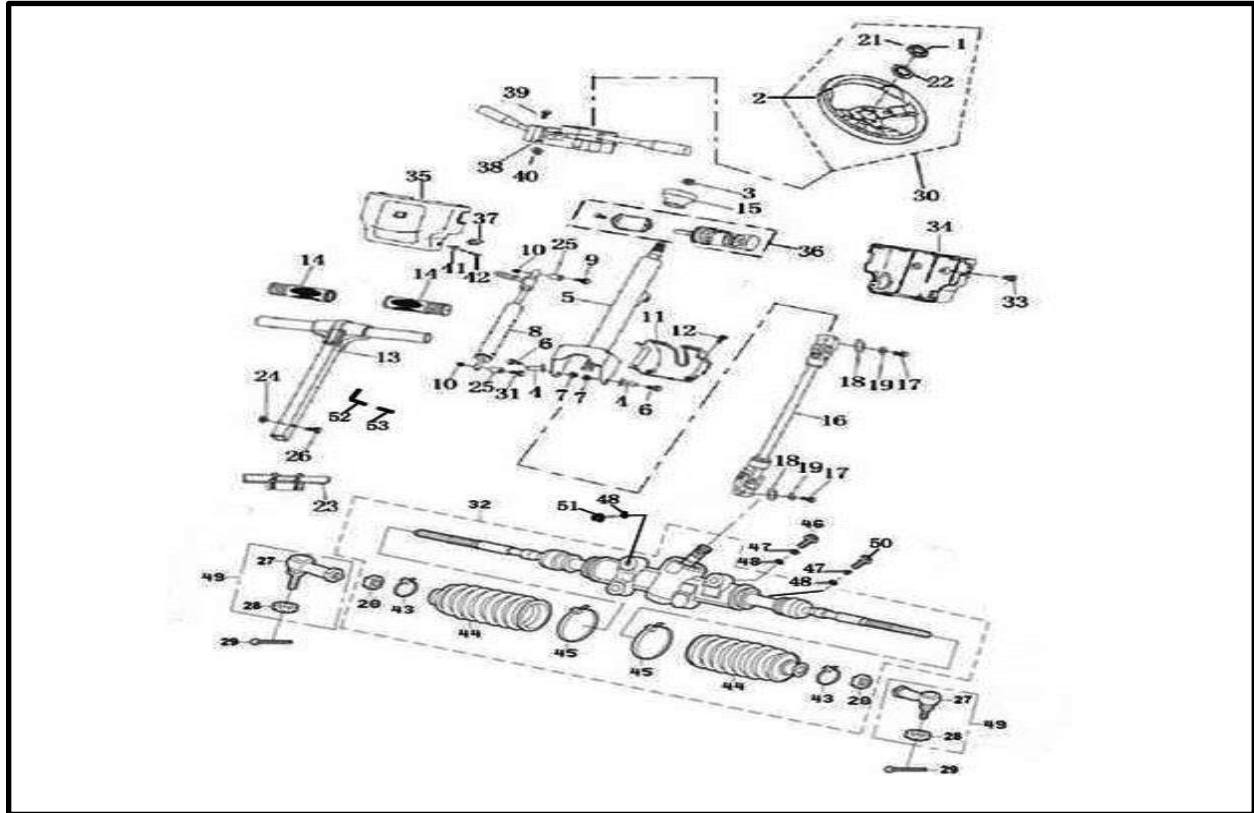
1	PJ00000521001400	Front Shock Absorber
	PJ00000521000200	Front Shock Absorber
2	P115000557440000	Ball Joint, Left Anti-roll Bar
3	BGB16674-M10×1.25×60	Hexagon Flange Bolt M10×1.25×60
4	BGB6187-M10×1.25	Hexagon Flange Locked Nut M10×1.25
5	P116C005274A0000	Anti-roll Bar, Front Suspension
6	PJ00000931400100	"U" type rubber bushing III
7	P115000557470000	Press Block, Rear Anti-Roll Bar
8	PJ00000903480100	Hexagon Flange Bolt M8×20
9	P115000557450000	Joint Ball, Right Anti-Roll Bar

# Steering Wheel



1	BGB70.1-M5×20-B	Socket Hexagon Screw M5×20
2	P115000611000000	Steering Wheel Assy
3	BGB6187-M10×1.25	Hexagon Flange Locked Nut M10×1.25
4	PJ00000924500100	Bush Ø12×Ø15.5
5	P116000621101000	Steering Stem
6	PJ00000902100300	HexFlangeStepBoltM8×13-Φ12×12
7	BGB6187-M8	Hexagon Flange Locked Nut M8
8	P116000612400000	Steering Rod
9	BGB16674-M6×25	Hexagon Flange Bolt M6×25
10	PJ00000903460000	Nut M6×14
11	P116000823210000	Decoration Cover Steering Column
12	PJ00000905200500	Cross Large Plate Head Screw M6×16
13	P116000722100000	Passenger Handle Bar Assy
14	P116000722020000	Handle Bar Grip
15	P116000823050000	Decoration Cover For Steering Column
16	P115000621300000	Direction Driveshaft Assy
17	BGB16674-M8×30	Hexagon Flange BoltM8×30
18	BGB93-8	Spring Washer 8
19	BGB93-8	Spring Washer 8
20	BGB6170-2000-M12	Nut M12
21	P115000611200000	Fixed Cap Steering Wheel
22	P115000611500000	Middle Cover For Steering Wheel
23	PJ00000932560000	Dust Sleeve
24	BGB6187-M8	Hexagon Flange Locked Nut M8
25	PJ00000929000200	BushingΦ6×Φ10×18
26	BGB16674-M8×35	Hexagon Flange Bolt M8×35

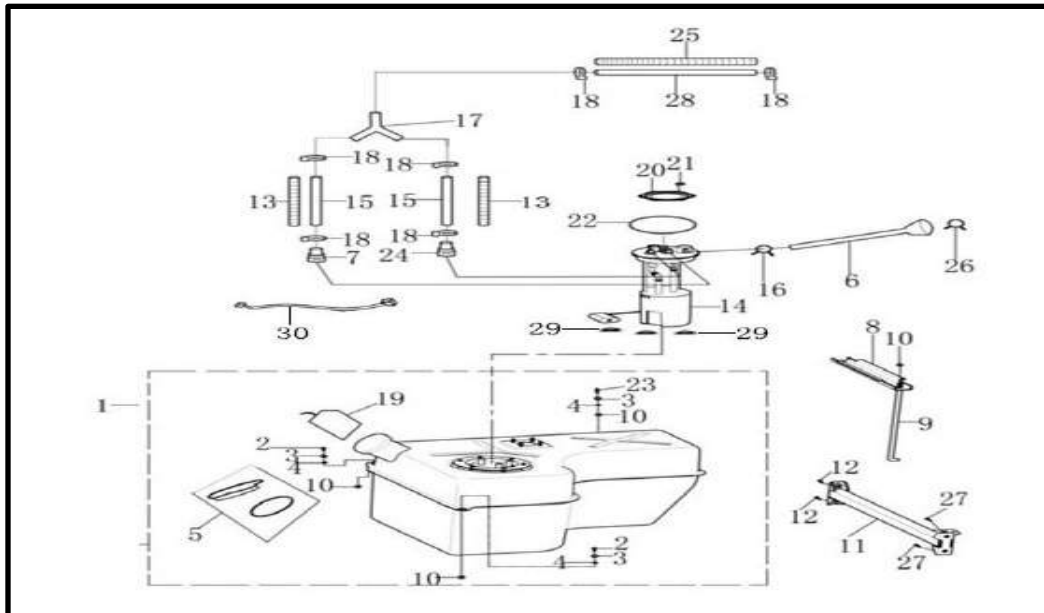
# Steering Wheel



27	P115N00642100100	Steering Gear Ball Joint
28	BGB9459-M12×1.25	hexagon thin slotted nut M12×1.25
29	BGB91-2.5×30	Cotter Pin 2.5×30
30	P115000611000000	Steering Wheel Assy
31	BGB16674-M6×30	Hexagon Flange BoltM6×30
32	P116C00641000000	Steering Gear Assy
33	PJ00000905200000	Cross Large Plate Head Screw M5×12
34	P115000823070000	Cover III , Steering Stem
35	P115000823060000	Cover II , Steering Stem
36	P116000372001001	Ignition Switch Assy
37	PJ00000903700000	Nut Clamp
38	P115N00371050000	Switch Assy
39	PJ00000905200100	Cross Large Plate Head Screw M5×16
40	BGB6177.1-M5	Hexagon Flange nut M5
41	BGB97.1-5	Plain washer 5
42	BGB845-ST4.8×16	Plate Head Tapping Screw With Cross Recess St4.8×16
43	PJ00000907100700	Elastic Hoop H
44	P115000641030000	Rubber Boot I
45	P115000641060000	Clamp
46	BGB16674-M10×1.25×50	Hexagon Flange Bolt M10×1.25×50
47	BGB93-10	Spring Washer 10
48	BGB97.1-10	Plain washer 10
49	P115N00642100100	Steering Gear Ball Joint
50	BGB16674-M10×1.25×40	Hexagon Flange Bolt M10×1.25×40
51	BGB6187-M10×1.25	Hexagon Flange Locked Nut M10×1.25
52	P116000753000000	Clamp Handle
53	P116000722210000	Clamp Handle Cover

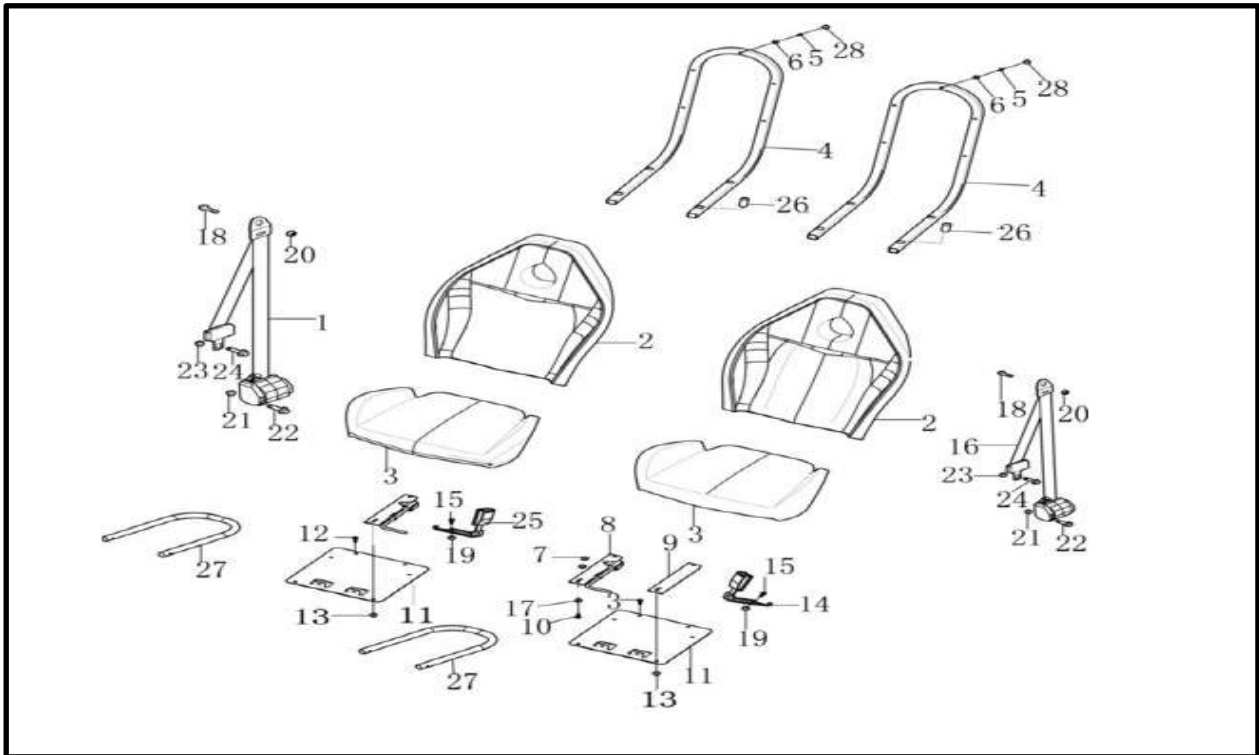


# Fuel Tank



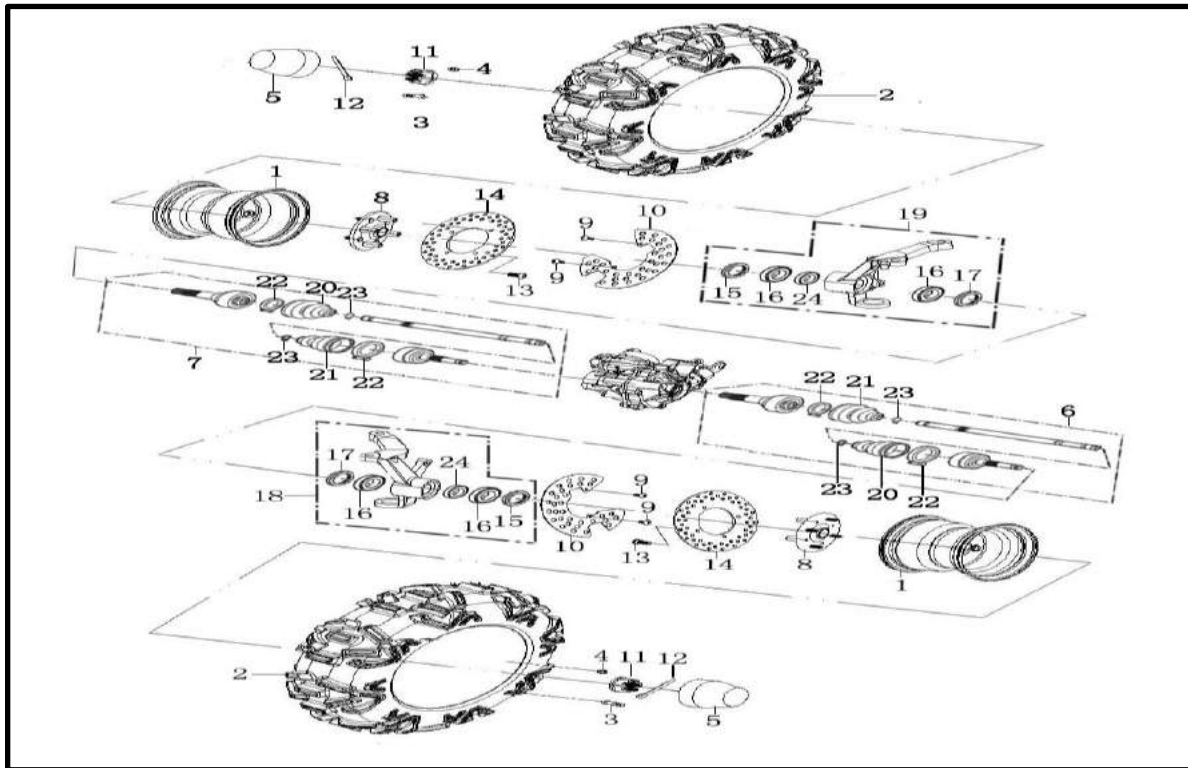
1	P116000811300000	Fuel Tank Assy(EPA)
2	BGB16674-M8×20	Hexagon Flange Bolt M8×20
3	PJ00000929302100	Bush φ8×φ10×φ20×7
4	PJ00000935120200	Rubber Washerφ9×2.5
5	P116000811400000	Fuel Tank Cover
6	P116000165290000	Breather Pipe φ7×φ11×345
7	P116000165210000	Fuel outlet Plug
8	P115000515820000	Binder Plate For Fuel Tank
9	P116000516250000	Hook
10	BGB6187-M8	Hexagon Flange Locked Nut M8
11	P116000516240000	Front Bearing
12	BGB16674-M8×40	Hexagon Flange Bolt M8×40
13	P116000165240000	Aluminum Foil Insulation Bellows II
14	P116000395000000	Fuel Pump Assy
15	P115H00165110000	Fuel Pipeφ8×φ14×500
16	PJ00000907100100	Elastic Hoop B
17	P116000165230000	Tee Joint Fuel Tube
18	PJ00000907200000	Clamp A
19	P116000516260000	Guiding Cover
20	P116000811530000	Fuel Pump Plate
21	BGB6177.1-M6	Hexagon Flange Nut M6
22	PJ00000933800100	Seal Gasket B, Fuel Pump
23	BGB16674-M8×55	Hexagon Flange Bolt M8×55
24	P116000165220000	Fuel Inlet Plug
25	P115H00165240000	Aluminum Foil Insulation Bellows I
26	PJ00000907100700	Elastic Hoop H
27	BGB16674-M8×20	Hexagon Flange Bolt M8×20
28	P116000165120000	Fuel Pipe
29	PJ00000931070000	Tri-angle Plug
30	P115H00395100000	Fuel Pump Connection Wire Assy

# Seat



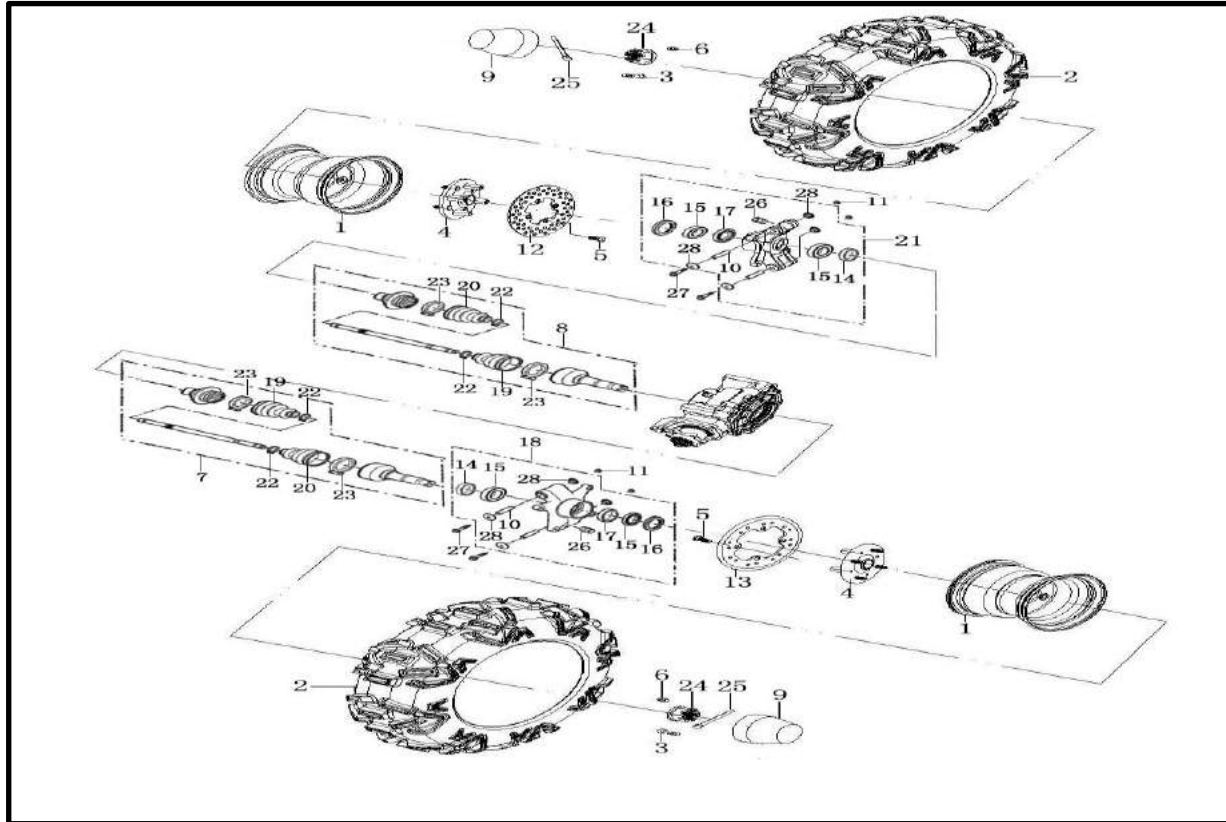
1	P312001751100000	Safety Belt
2	P116000712100000	Backrest
3	P116000711100000	Seat Cushion Comp. I
4	P116000715100000	Seat Connection Assy
5	BGB70.1-M8×25	SocketHexagonScrewM8×25
6	BGB97.1-8	Plain washer 8
7	BGB5287-8	Plain washer 8
8	P116000715500000	Slide Rail (R)
9	P116000715400000	Slide Rail (L)
10	BGB70.1-M8×25	SocketHexagonScrewM8×25
11	P116000826050000	Seat Mounting Board
12	BGB16674-M6×16	Hexagon Flange Bolt M6×16
13	BGB6187-M8	Hexagon Flange Locked Nut M8
14	P116000751200000	Seat Belt Buckle I
	P116000751200100	Seat Belt Buckle (L)
15	BGB16674-M10×1.25×22	Hexagon Flange bolt M10×1.25×22
16	P312001751100000	Safety Belt
17	BGB5287-8	Plain washer 8
18	PJ00000902100600	HexFlangeStepBoltM10×φ14×9×25
19	BGB6187-M10×1.25	Hexagon Flange Locked Nut M10×1.25
20	BGB6187-M10×1.25	Hexagon Flange Locked Nut M10×1.25
21	BGB6187-M10×1.25	Hexagon Flange Locked Nut M10×1.25
22	BGB6187-M10×1.25	Hexagon Flange Locked Nut M10×1.25
23	BGB6187-M10×1.25	Hexagon Flange Locked Nut M10×1.25
24	PJ00000902100600	HexFlangeStepBoltM10×1.25×25-φ14×9
25	P116000751300000	Seat Belt Buckle (R)
	P116000751300100	Seat Belt Buckle (R)
26	PJ00000929001100	Rubber Insulation (L)
27	P116000715300000	Connecting link
28	PJ00000931000100	Rubber Plug φ19×φ25

# Front Axle



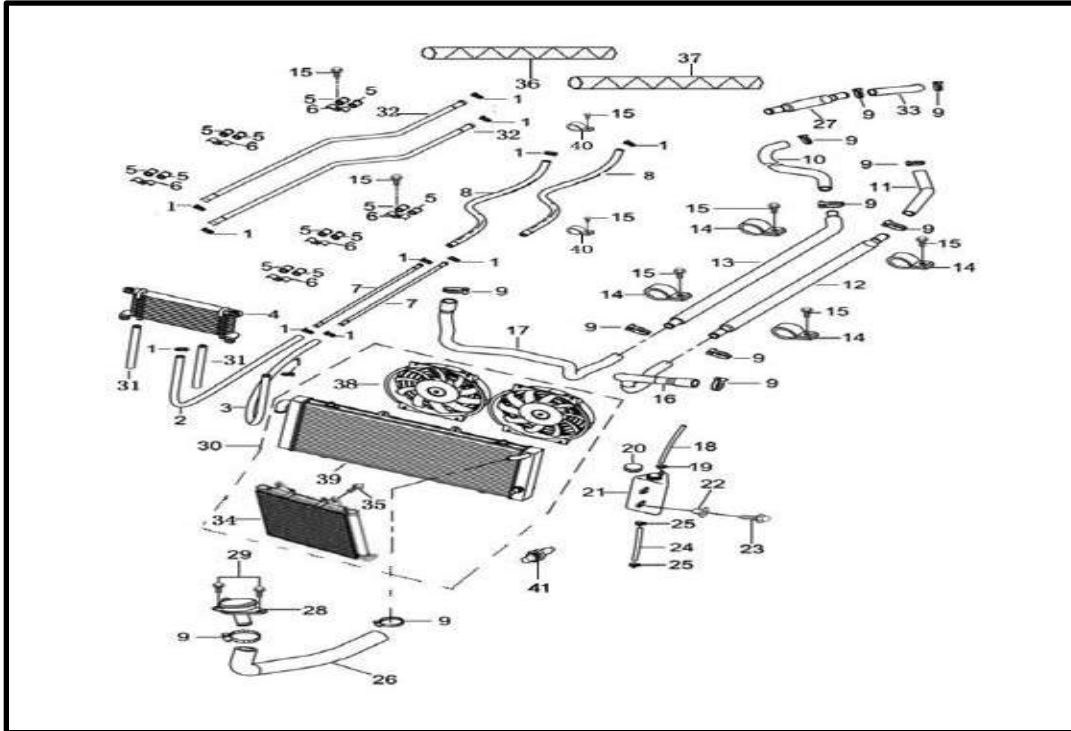
1	PJ00000411220400	Front Rim(F103,Steel,Black)
2	PJ00000411210700	Front Tire
3	P1150004113A0000	Valve Core
4	PJ00000903450000	Nut M10×1.25
5	PJ00000410050700	Wheel Cap H
6	PJ00000261001500	C.V axle R Front Left Axle
7	PJ00000262001200	C.V axle N Front Right Axle
8	P115000461100000	Mounting Bracket For Front Hub
9	PJ00000905200400	CrossBigPlateHeadScrewM6×12
10	P115000515610000	Protective Cover Front Brake Disc
11	BGB9459-M24×1.5-C	Hexagon Thin Slotted Nut M24×1.5
12	BGB91-3.2×50	Cotter Pin 3.2×50
13	PJ00000902200000	Inner Hexagon Cone Step Bolt With Pan M8
14	P115000444530000	Front Brake Plate
15	P115000911190000	Outer Oil Seal, Front Knuckle $\phi 38 \times \phi 55 \times 7$
16	BGB276-6206RS	Deep Groove Ball Bearing 6206Rs
17	P115000911180000	Inner Oil Seal, Front Knuckle $\Phi 38 \times \Phi 55 \times 8$
18	P115000527100000	Front Left Knuckle Assy.
19	P115000527200000	Front Right Knuckle Assy.
20	PJ00000260020200	Inner Rubber Dust-P Cover (C-1605)
21	PJ00000260020100	Outer Rubber Dust-P Cover (C-1610)
22	PJ00000265000300	Rubber Dust-Cover Hoop D
23	PJ00000265000100	Adjustable Clamp
24	P115000521120000	Inside Spacer Bushing Front Knuckle Bearing

# Rear Axle



1	PJ00000411620400	Rear Hub
2	PJ00000411610700	Rear Tire
3	P1150004113A0000	Valve Core
4	P115000462100000	Mounting Bracket Rear Hub
5	PJ00000902200000	Inner Hexagon Cone Step Bolt With Pan M8
6	PJ00000903450000	Nut M10×1.25
7	PJ00000263001400	C.V axle Q Front Left Axle
8	PJ00000264001500	C.V axle R Front Right Axle
9	PJ00000410050600	Wheel Cap G
10	P115000557020000	Axle Sleeve Liner
11	BGB6187-M10×1.25	Hexagon Flange Locked Nut M10×1.25
12	P115000444550000	Rear Brake Disc(Right)
13	P115000444540000	Rear Brake Disc(Left)
14	P115000911200000	Inner Oil Seal, Front Knuckle φ38×φ62×8
15	BGB276-6206RS	Deep Groove Ball Bearing 6206Rs
16	P115000911210000	Outer Oil Seal, Front Knuckle φ42×φ62×7
17	P115000557040000	Inside Spacer Bushing Rear Knuckle Bearing
18	P115000557100000	Rear Knuckle Assy (L)
19	PJ00000260020400	Inner Rubber Dust-Proof (C-1513) Front Axle
20	PJ00000260020200	Inner Rubber Dust-P Cover (C-1605)
21	P115000557200000	Rear Knuckle Assy (R)
22	PJ00000907200300	Hoop D
23	PJ00000907200100	Hoop B
24	BGB9459-M24×1.5-C	Hexagon Thin Slotted Nut M24×1.5
25	BGB91-3.2×50	Cotter Pin 3.2×50
26	P115000521070000	Nozzle Knuckle
27	BGB16674-M10×1.25×105	Hexagon Flange Bolt M10×1.25×105
28	P115000557010100	Dust P. Cover

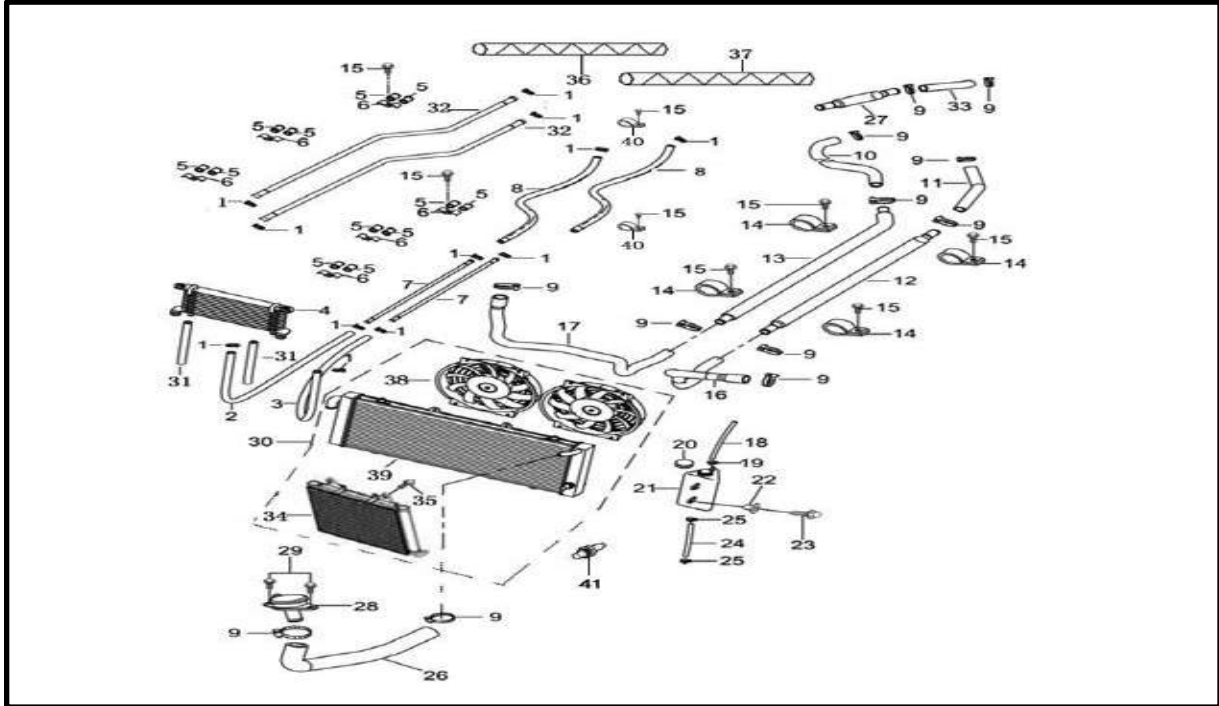
# Water Cooler & Radiator



1	PJ00000907300000	Locking Hoop For Screw A
2	P116000155040000	Rubber Oil Pipe I
3	P116000155050000	Rubber Oil Pipe II
4	P1160001553A0000	welding assembly II
5	P115000155140000	fuel line rubber
6	P115000190170000	fixing pipe clamp (M type)
7	P116000155130000	Metal Oil Pipe I
8	P116000155050000	Rubber Oil Pipe II
9	PJ00000907300300	Locking Hoop D
10	P116000190030000	Rear Water Pipe (R)
11	P116000190040000	Outlet Pipe I
12	P116000190120000	Metal Water Pipe I
13	P116000190210000	Metal Water Pipe(R)
14	P116000190150000	Water Pipe Clip III
15	BGB16674-M6×16	Hexagon Flange Bolt M6×16
16	P116000190050000	Front Water Pipe (L)
17	P116000190180000	Inlet Water Pipe III
18	P115000193220000	Outlet Pipe Second Water Tank
19	PJ00000907100300	Elastic Hoop D
20	P115000193110000	Second Water Tank Cap
21	P117000193000000	Secondary Water Tank

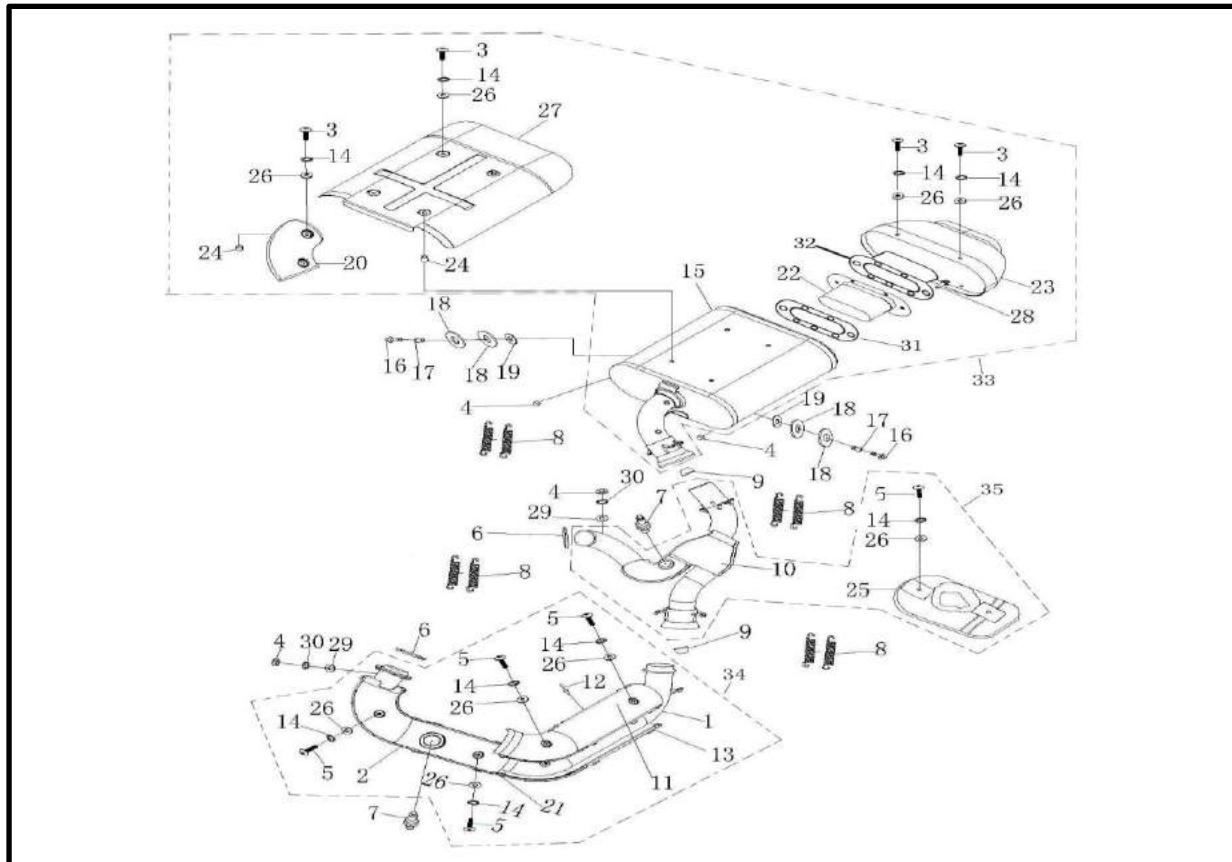


# Water Cooler & Radiator



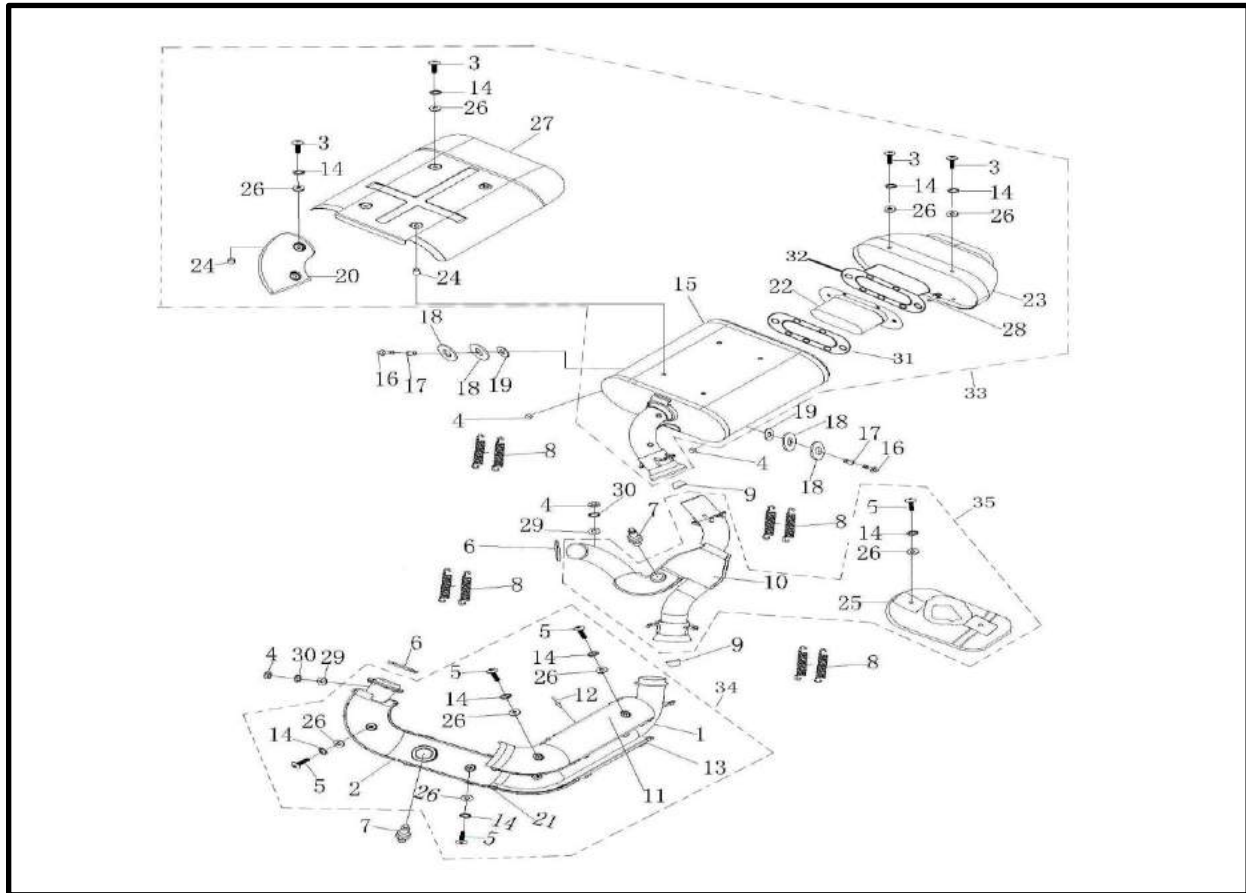
22	PJ00000929301500	Bush $\phi 6.5 \times \phi 9 \times 6.5$
23	BGB16674-M6×16	Hexagon Flange Bolt M6×16
24	P115000193130000	Water Inlet Pipe, Second Water Tank
25	PJ00000907100200	Elastic Hoop C
26	P116000190060000	Water Pipe
27	P116000190220000	Rear Metal Water Pipe (R)
28	P301001192700000	Water Inlet
29	BGB16674-M6×16	Hexagon Flange Bolt M6×16
30	P116000192000001	Cooling water tank component
31	P116000155060000	Rubber Oil Pipe III
32	P116000155150000	Metal Oil Pipe II
33	P116000190010000	Rear upper Water Pipe (R)
34	P1160001552A0000	Oil Cooling Radiator I
	P1160001552A0100	Oil Cooling Radiator I
35	BGB16674-M6×20	Hexagon Flange Bolt M6×20
36	P116000165250000	Aluminum Foil Insulation Bellows $\Phi 14 \times \Phi 17 \times 470$
37	P115N00165250000	Aluminum Foil Insulation Bellows $\Phi 14 \times \Phi 17 \times 470$
38	P1160001924A0001	Cooling Fan
39	P1160001926A0000	Water Tank
40	P115000190230000	Clip Metal Water Pipe
41	P116000391300000	Water Temp Sensor

# Muffler



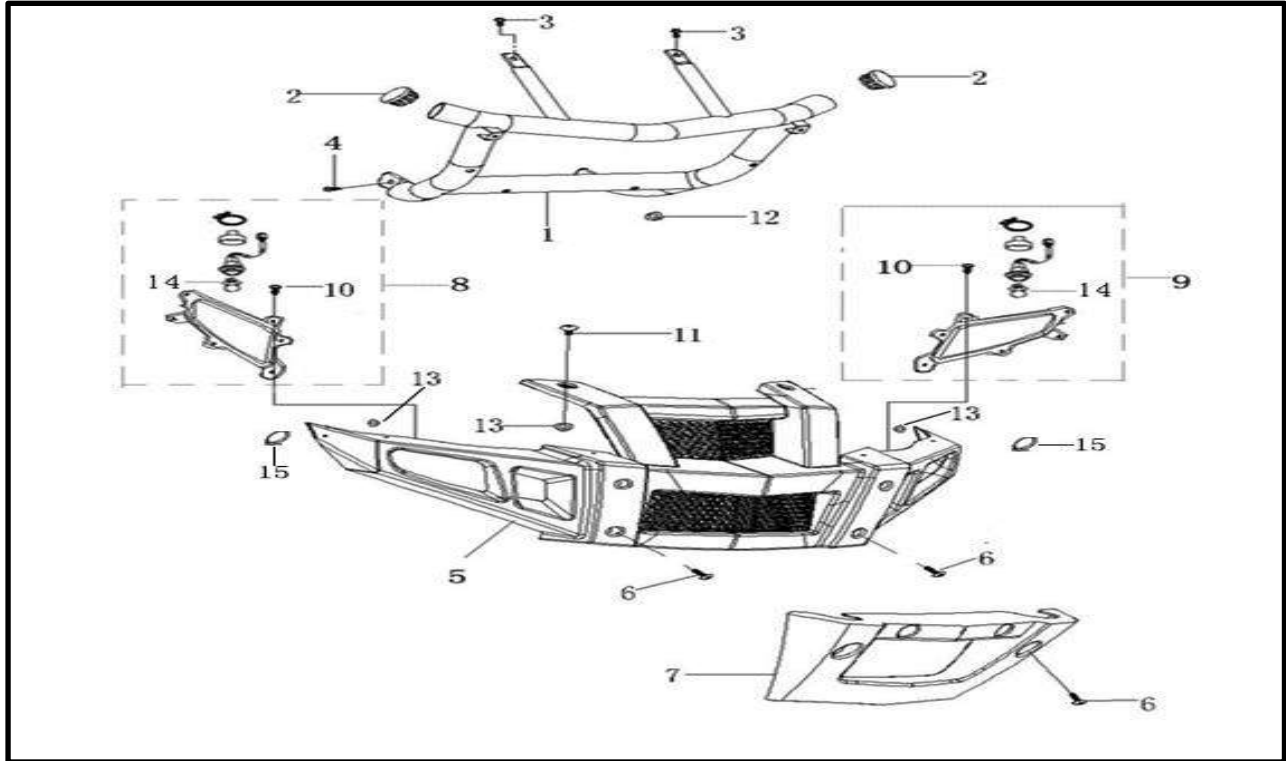
1	P1160001820A0000	welding assembly I exhaust pipe
2	P116000182010000	Exhaust Pipe Shield I
3	PJ00000905201000	Cross Large Plate Head Screw M6×12-B
4	BGB6177.1-M8	HexagonFlangeNutM8
5	PJ00000905201000	Cross Large Plate Head Screw M6×12-B
6	PJ00000180200500	Exhaust Pipe Gasket Ø36.5×Ø46×6
7	P116000391600000	Oxygen Sensor
8	PJ00000961000000	Tension Spring A
9	PJ00000180500200	sealing gasket hemispherical φ42
10	P3170011825A0000	Exhaust Pipe Shield II
11	P116000182020000	Exhaust Pipe Shield II
12	BGB12618-3.2×12	Rebite 3.2×12
13	P116000182020100	Exhaust Pipe Shield II
14	BGB93-6-B	Spring Washer 6
15	P116C001810A0000	Muffler Tube

# Muffler



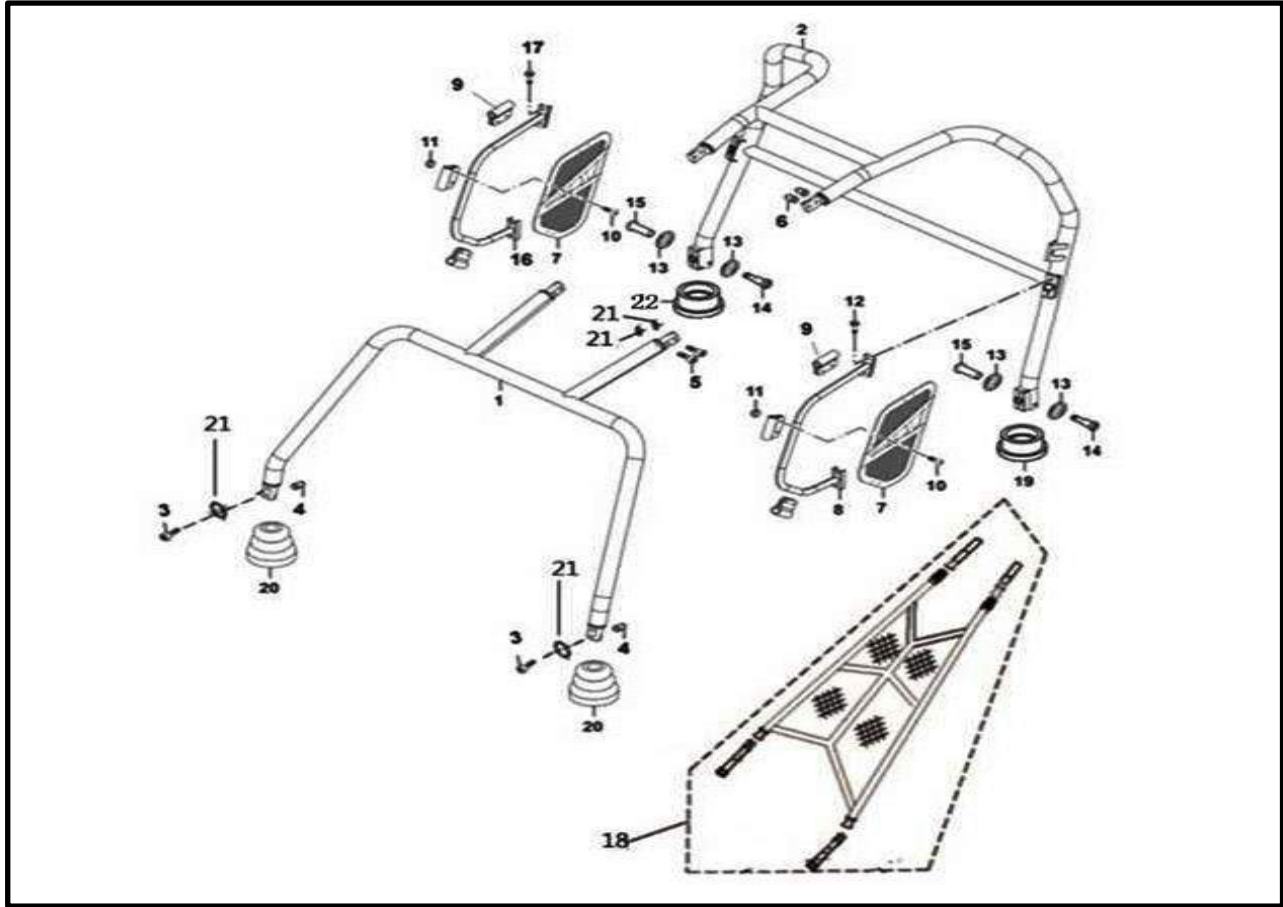
16	BGB16674-M8×35	Hexagon Flange Bolt M8×35
17	PJ00000929302500	Bush Φ9.4×Φ12×12
18	P116000180070100	Heat Insulation Gasket
19	PJ00000906050600	Washer Φ8.5×Φ28×1.5
20	P116000182040000	Exhaust pipe shield IV
21	P116000182010100	Exhaust Pipe Shield I
22	P1160001830A0000	Flame Screen
23	P116000180040000	Muffler Tail Decorative Cover
24	P116000180070100	Heat Insulation Gasket
25	P116000182030000	Shield Iii Muffler Tube
26	BGB97.1-6-B	Plain washer 6
27	P116000180030000	Shield Muffler Tube
28	BGB16674-M6×12	Hexagon Flange Bolt M6×12
29	BGB97.1-8	Plain washer 8
30	BGB93-8	Spring Washer 8
31	P116000180010000	Tail Pipe Gasket
32	P1160001840A0000	Tail Pipe
33	P116C00181000000	Muffler Assy
34	P3170011821A0000	Exhaust Pipe I
35	P317001182500000	Exhaust Pipe II

# Bumper



1	P116000513000000	Front Bumper
2	PJ00000924400100	Rubberplug $\phi$ 29 $\times$ $\phi$ 36 $\times$ 8
3	BGB16674-M10 $\times$ 1.25 $\times$ 20	Hexagon Flange Bolt M10 $\times$ 1.25 $\times$ 20
4	BGB16674-M10 $\times$ 1.25 $\times$ 25	Hexagon Flange Bolt M10 $\times$ 1.25 $\times$ 25
5	P116000821010000	Protection Cover Of Front Bumper
6	PJ00000905200500	Cross Large Plate Head Screw M6 $\times$ 16
7	P116000821060000	Protective Cover Front Bumper
8	P116000354250001	Front Right Turning Light
9	P116000354000001	Front Left Turning Light
10	BGB845-ST4.8 $\times$ 16	Plate Head Tapping Screw With Cross Recess St4.8 $\times$ 16
11	PJ00000905200600	Cross Large Plate Head Screw M6 $\times$ 20
12	BGB6187-M10 $\times$ 1.25	Hexagon Flange Locked Nut M10 $\times$ 1.25
13	BGB6177.1-M6	Hexagon Flange Nut M6
14	PJ00000384410000	Bulb, 12V R10W
15	P115000348200000	Side Reflector Assy(red)

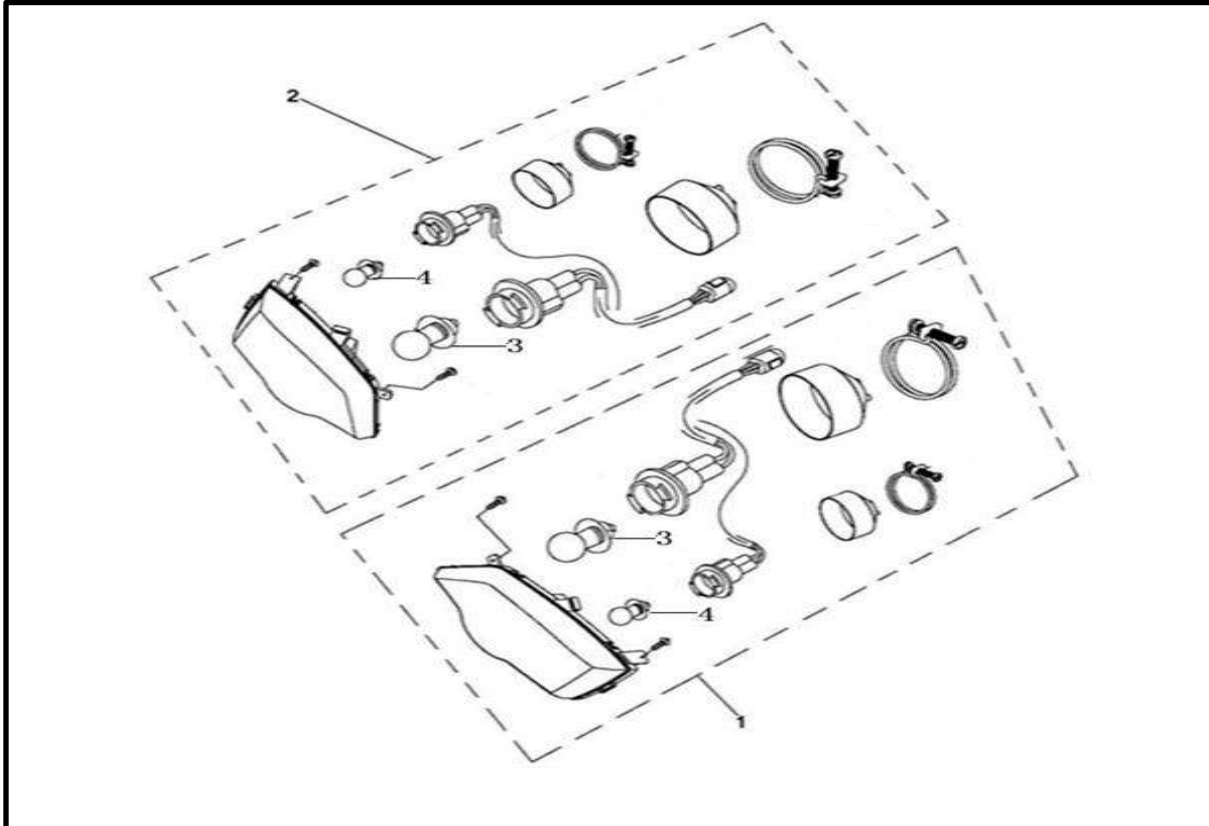
# Head Frame



1	P116000517100000	Roof Rod I
2	P116000517200000	Roof Rod II
3	BGB70.1-M10×1.25×25	Hexagon Socket Head Bolt M10×1.25×25
4	BGB923-M10×1.25	Nut M10×1.25
5	BGB70.1-M10×1.25×25	Hexagon Socket Head Bolt M10×1.25×25
6	BGB923-M10×1.25	Nut M10×1.25
7	P116000825210000	Shoulder Protector Panel
8	P116000723100000	Left Shoulder Protector Assy(L)
9	P116000825220000	Pipe Clamp II
10	PJ00000905200500	Cross Large Plate Head Screw M6×16
11	PJ00000903460000	Nut M6×14
12	BGB16674-M6×16	Hexagon Flange Bolt M6×16
13	P115000515860000	Curve Pad
14	PJ00000902050200	Bolt M8×38
15	PJ00000929750000	Barrel M8
16	P116000723200000	Right Shoulder Protector Assy
17	BGB16674-M6×16	Hexagon Flange Bolt M6×16
18	P116000752000000	Net Assy
19	PJ00000932200800	Wave Seal Cartridge I
20	PJ00000932200900	Gasket IV
21	BGB93-10	Spring Washer 10
22	PJ00000932200800	Wave Seal Cartridge IV

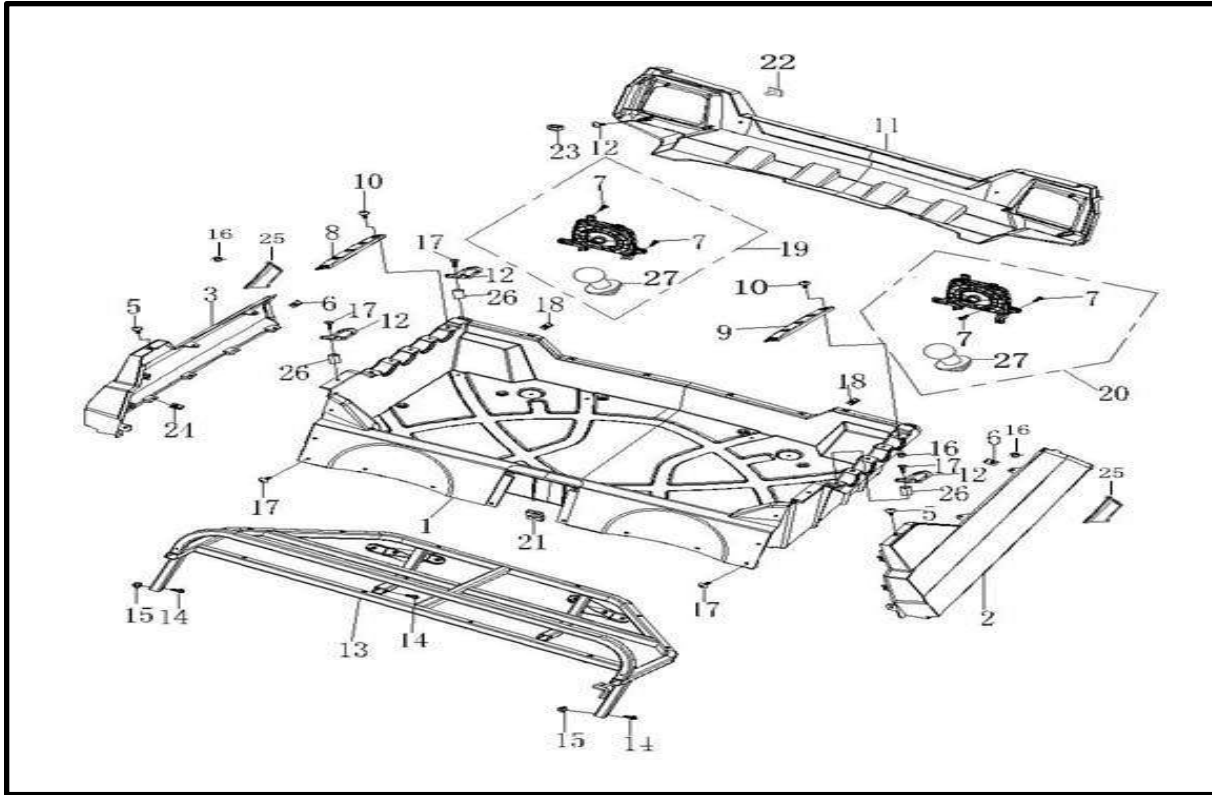


# Front Headlight



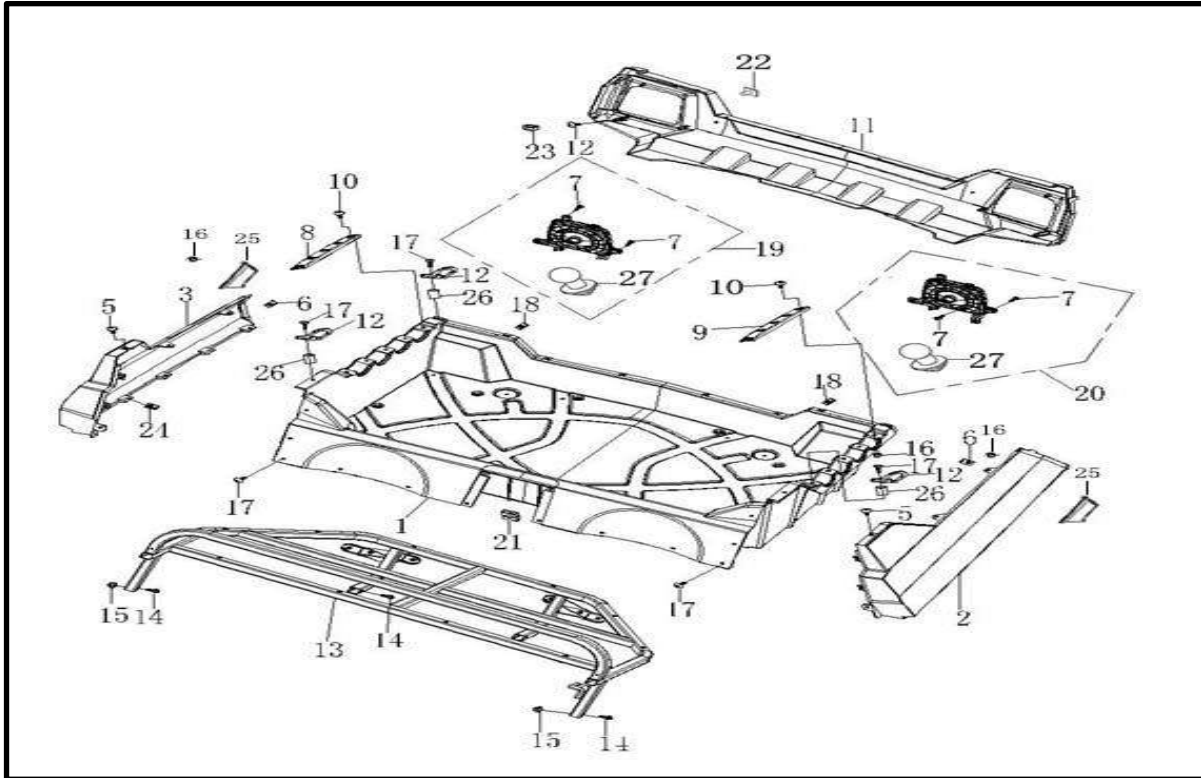
1	P116000351101001	Left Headlight
2	P116000351301001	Right Headlight
3	PJ00000384120000	HeadlightBulb (12V35W/35W)
4	PJ00000384310000	Position Light Bulb 12V; W5W

# Carrier



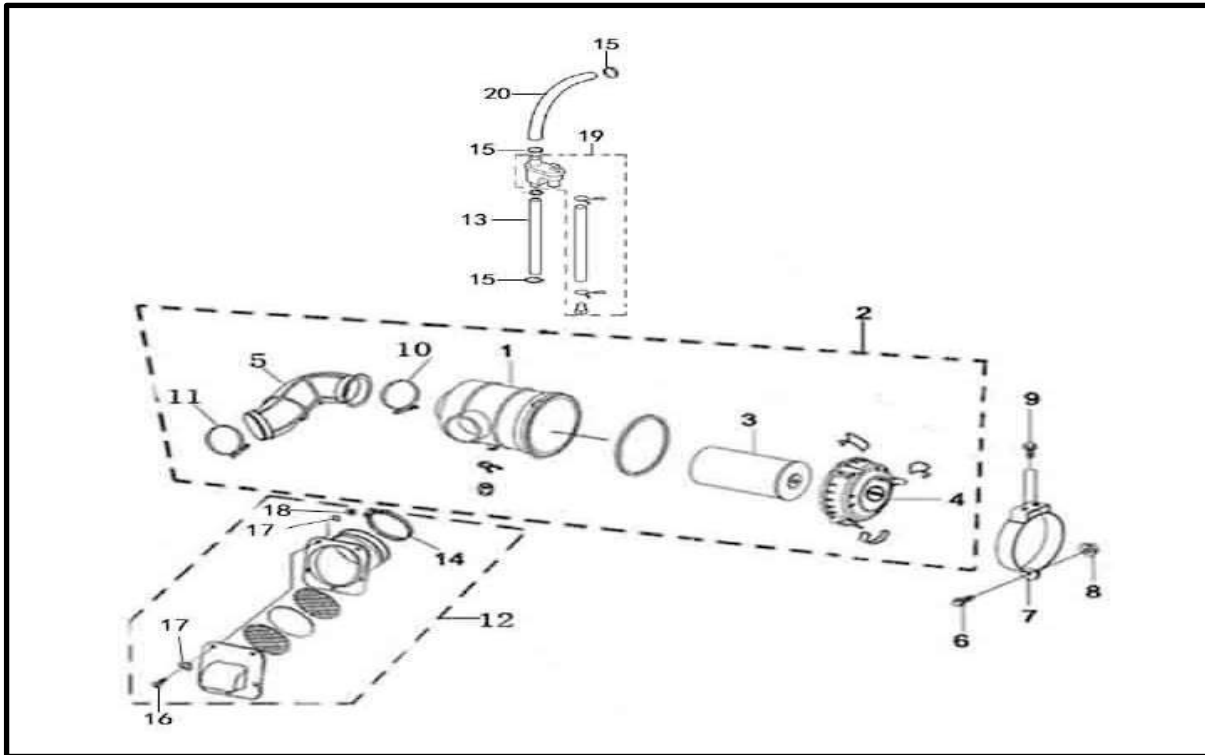
1	P116000827050000	Plastic Cargo Box
2	P11600082701000012	Left Board Of Bed: White
	P11600082701000022	Left Board Of Bed: Black
	P11600082701000031	Left Board Of Bed: Dark Red
	P11600082701000033	Left Board Of Bed: Red
	P11600082701000040	Left Board Of Bed: Orange
	P11600082701000051	Left Board Of Bed: Yellow
	P11600082701000061	Left Board Of Bed: Light Green
	P11600082701000062	Left Board Of Bed: Camo Green
	P11600082701000063	Left Board Of Bed: Dark Green
	P11600082701000070	Left Board Of Bed: Blue
	P11600082701000070	Left Board Of Bed: Bahama Blue
	P11600082701000041	Left Board Of Bed: Bahama : Sun Rise Orange
	P11600082701000093	Left Board Of Bed: Vista Camouflage
	P11600082701000094	Left Board Of Bed: G2 Camouflage
	P11600082701000095	Left Board Of Bed: Wal-Mart Camouflage
	P11600082701000096	Left Board Of Bed: MASSIMO Camouflage
3	P11600082702000012	Right Board Of Bed: White
	P11600082702000022	Right Board Of Bed: Black
	P11600082702000031	Right Board Of Bed: Dark Red
	P11600082702000033	Right Board Of Bed: Red
	P11600082702000040	Right Board Of Bed: Orange
	P11600082702000051	Right Board Of Bed: Yellow
	P11600082702000061	Right Board Of Bed: Light Green
	P11600082702000062	Right Board Of Bed: Camo Green
	P11600082702000063	Right Board Of Bed: Dark Green
	P11600082702000070	Right Board Of Bed: Blue
	P11600082702000072	Right Board Of Bed: Bahama Blue
	P11600082702000041	Right Board Of Bed: Bahama : Sun Rise Orange
	P11600082702000093	Right Board Of Bed: Vista Camouflage
	P11600082702000094	Right Board Of Bed: G2 Camouflage
	P11600082702000095	Right Board Of Bed: Wal-Mart Camouflage
	P11600082702000096	Right Board Of Bed: MASSIMO Camouflage

# Carrier



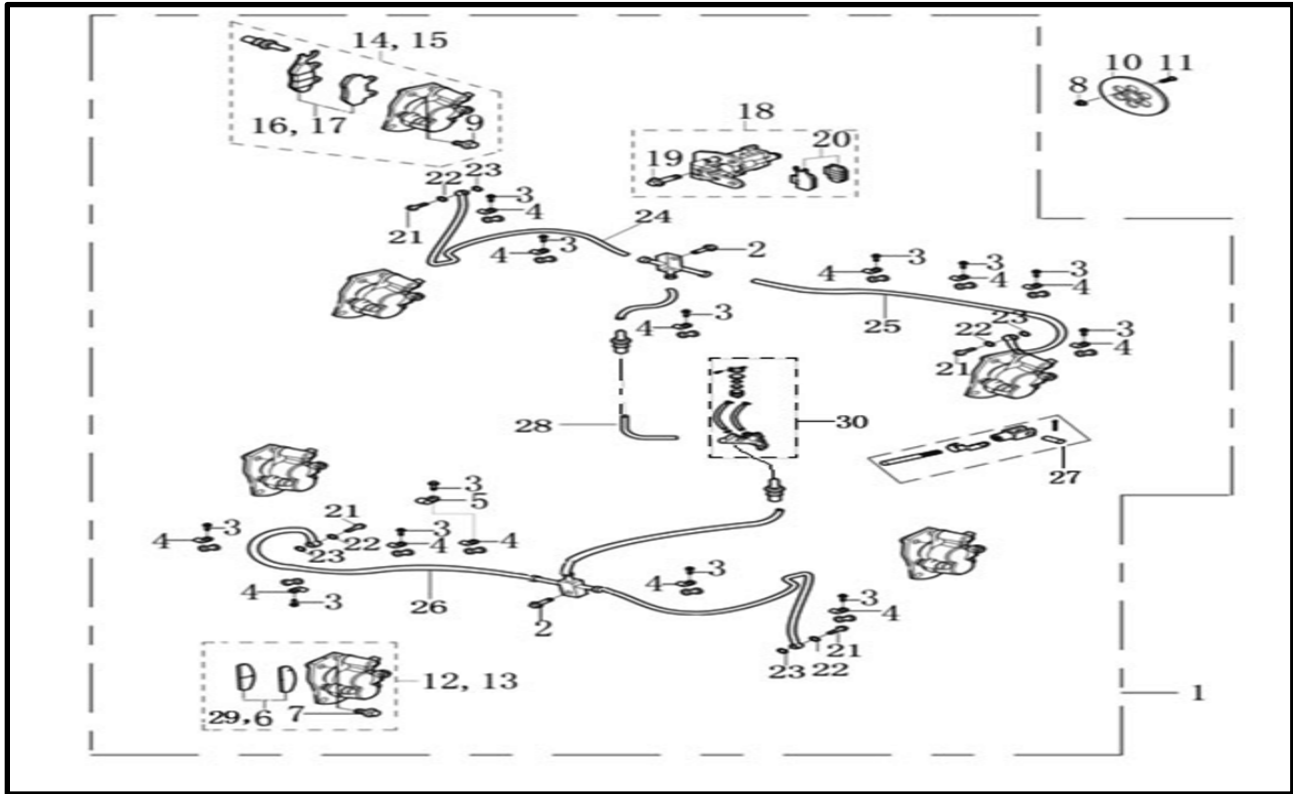
4	PJ00000905200500	Cross Large Plate Head Screw M6×16
5	PJ00000905200500	Cross Large Plate Head Screw M6×16
6	PJ00000903500300	Nut Holder M6×2
7	BGB845-ST4.8×16	Plate Head Tapping Screw With Cross Recess St4.8×16
8	P116000827120000	Right Side Board Decorative Plate Carrier
9	P116000827130000	Left Side Board Decorative Plate Carrier
10	PJ00000905200500	Cross Large Plate Head Screw M6×16
11	P116000828010000	Taillight Mounting Cover
12	P116000515300000	Strip Hook
13	P116C00518100000	Bed Baseplate
14	BGB16674-M8×45	Hexagon Flange Bolt M8×45
15	BGB6187-M8	Hexagon Flange Locked Nut M8
16	BGB6177.1-M6	Hexagon Flange Nut M6
17	PJ00000905200500	Cross Large Plate Head Screw M6×16
18	PJ00000903500300	Nut Holder M6×2
19	P116000353751001	Rear Position Light Assy. (R)
20	P116000353501001	Rear Position Light Assy. (L)
21	PJ00000903500300	Nut Holder M6×2
22	P102000348100000	Reflector
23	BGB6177.1-M6	Hexagon Flange Nut M6
24	PJ00000903500300	Nut Holder M6×2
25	P115000348200100	Side Reflector Assy (red)
26	PJ00000929000900	Bush $\phi 7 \times \phi 20 \times 10$
27	PJ00000384510000	Taillight Bulb

# Air Filter



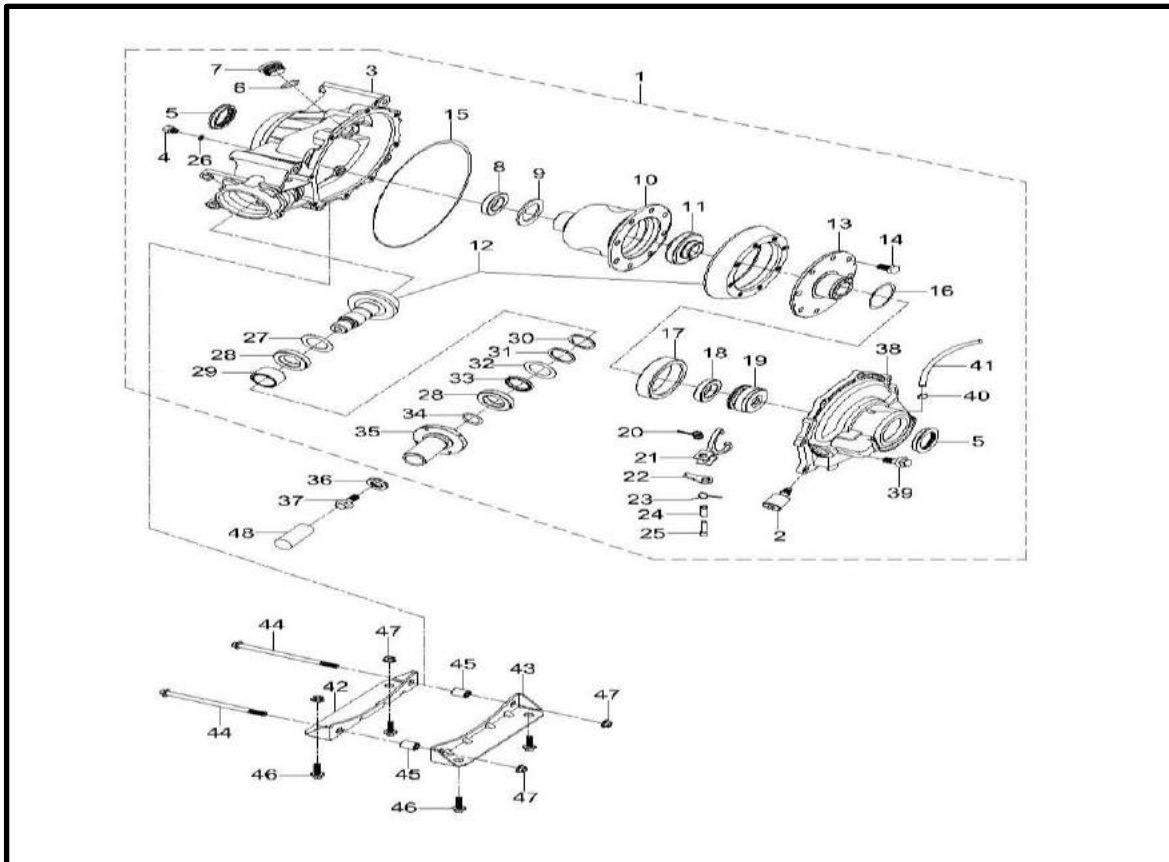
1	P116000172010000	Secondary Filter
2	P116000172000000	Secondary Air Filter Assy
3	P1120001722A0000	Secondary Air Filter Element
4	P112000172040000	Secondary Filter Cap
5	P116000172090000	Secondary Outlet Pipe I
6	BGB16674-M6×16	Hexagon Flange Bolt M6×16
7	P116000515970000	Air Filter Hoop
8	BGB6177.1-M6	Hexagon Flange Nut M6
9	BGB16674-M8×16	Hexagon Flange Bolt M6×16
10	PJ00000907300600	Locking Hoop G
11	PJ00000907300600	Locking Hoop G
12	P116000172360000	Air Inlet Screen
13	P115000188010000	EGR Tube I
14	PJ00000907300900	Hoop J
15	PJ00000907100700	Elastic Hoop H
16	BGB818-M4×25	Screw M4×25
17	BGB97.1-5	Plain washer 5
18	BGB6177.1-M4	Hex Flange Locknut M4
19	P104000174100000	Air-Oil Separator
20	P116000188010000	EGR Tube I

# Disc Brake Parts



1	P116C00441000000	Disc Brake Parts I
2	BGB16674-M10×1.25×22	Hexagon Flange bolt M10×1.25×22
3	BGB16674-M6×16	Hexagon Flange Bolt M6×16
4	P115000444620000	Oil Pipe Clip
5	P115000444590000	Clip I Oil Pipe
6	P115000441110000	Left Front Brake Pad
7	BGB16674-M10×1.25×22	Hexagon Flange bolt M10×1.25×22
8	BGB6187-M6	Hexagon Flange Locked Nut M6
9	BGB16674-M10×1.25×22	Hexagon Flange bolt M10×1.25×22
10	P116000444570000	Parking Brake Plate
11	PJ00000902250200	Socket Hexagon Screw M6×28
12	P115000442200000	Rear Right Brake Caliper
13	P115000442100000	Rear Left Brake Caliper
14	P115000441200000	Front Brake Caliper(R)
15	P115000441100000	Front Brake Caliper(L)
16	P115000441110000	Left Front Brake Pad
17	P115000441210000	Right Front Brake Pad
18	P116000443200000	Middle Brake Assy
19	BGB16674-M10×1.25×55	Hexagon Flange Bolt M10×1.25×55
20	P116000443210000	Parking brake pad assy
21	P115000440010000	Oil Pipe Bolt I
22	P115000440020000	Gasket Oil Pipe
23	P115000440020000	Gasket Oil Pipe
24	P116C00442500000	Rear Oil Pipe R
25	P116C00442400000	Rear Oil Pipe L
26	P116C00441250000	Front Oil Pipe Assy
27	P116000440140000	Mandrill Assy
28	P116000442300000	Middle Oil Pipe
29	P115000441210000	Right Front Brake Pad
30	P116000441800000	Main Brake Pump

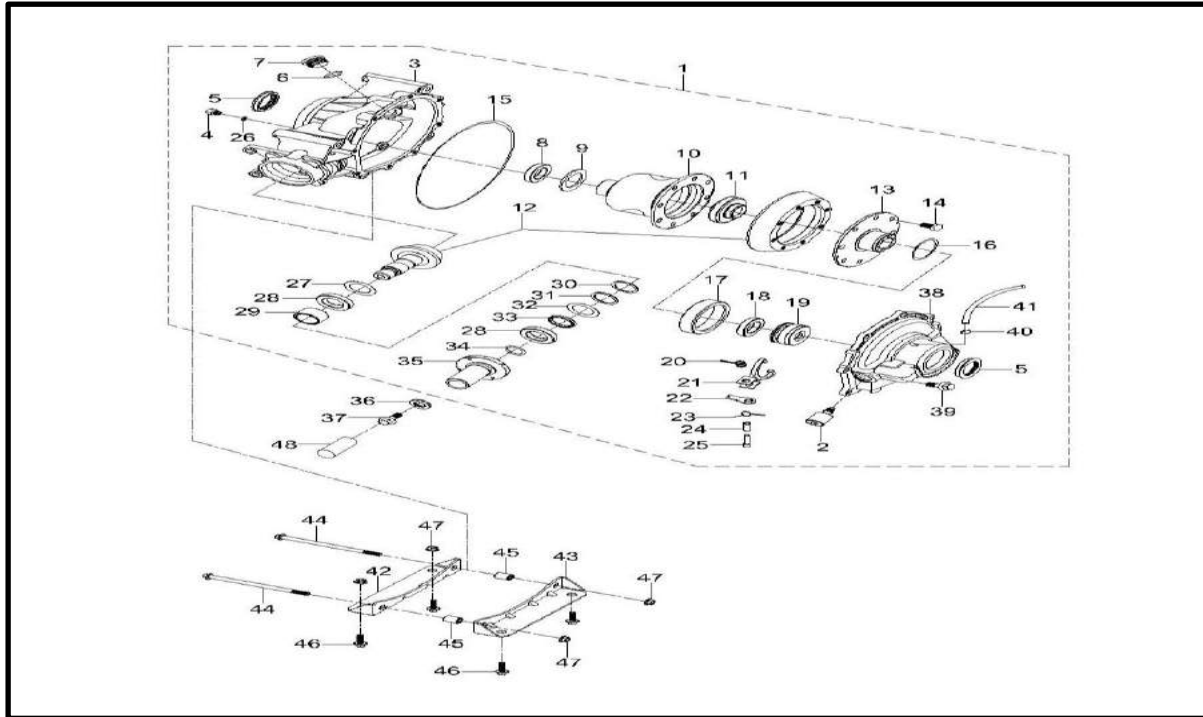
# Rear Axle Reducer



1	P116000272000001	Rear Reducer Assy
2	P116000379350000	Magnetic Valve
3	P116000272020000	Rear Axle Gear Box
4	P116000272540000	Oil Drain Bolt, Rear Axle
5	P116000911290000	Oil Seal $\Phi 35 \times \Phi 52 \times 7$
6	P116000272170000	O-Ring Gasket, Fuel Injection $\phi 23 \times \Phi 3$
7	P116000272290000	Oil Filling Bolt, Rear Axle
8	BGB297-32008	Single-Row Tapered Roller Bearing 32008
9	PJ00000273001900	Adjustment Gasket $\Phi 40.5 \times \Phi 57 \times 0.1$
10	P116000272430000	Rear Transfer Gear
11	P116000272200000	Bevel Gear Rear Axle
12	P116000272310000	Drive & Driven Gears Assy, Rear Axle
13	P116000272420000	Mounting Base Of Rear Split Gear
14	P311001272240000	Mounting Bolt Of Movable Bevel Gear M10 $\times$ 1.25 $\times$ 20
15	P116000272560000	O-Ring $\Phi 2.5 \times \Phi 192$ Of Rear Differential Case
16	PJ00000273001600	Adjustment Gasket $\Phi 50.5 \times \Phi 60 \times 0.1$
17	P116000272390000	Rear Axle Bevel Gear Sleeve I
18	BGB297-32010	Single-Row Tapered Roller Bearing 32010
19	P116000272380000	Sliding Sleeve Of Shift Fork
20	P116000272340000	Torsional Spring II Of Shift Fork
21	P116000272370000	Shift Fork Of Rear Axle
22	P116000272360000	Locating Block Of Shift Fork
23	P116000272330000	Torsional Spring I Of Shift Fork
24	P116000272350000	Sleeve Of Shift Fork

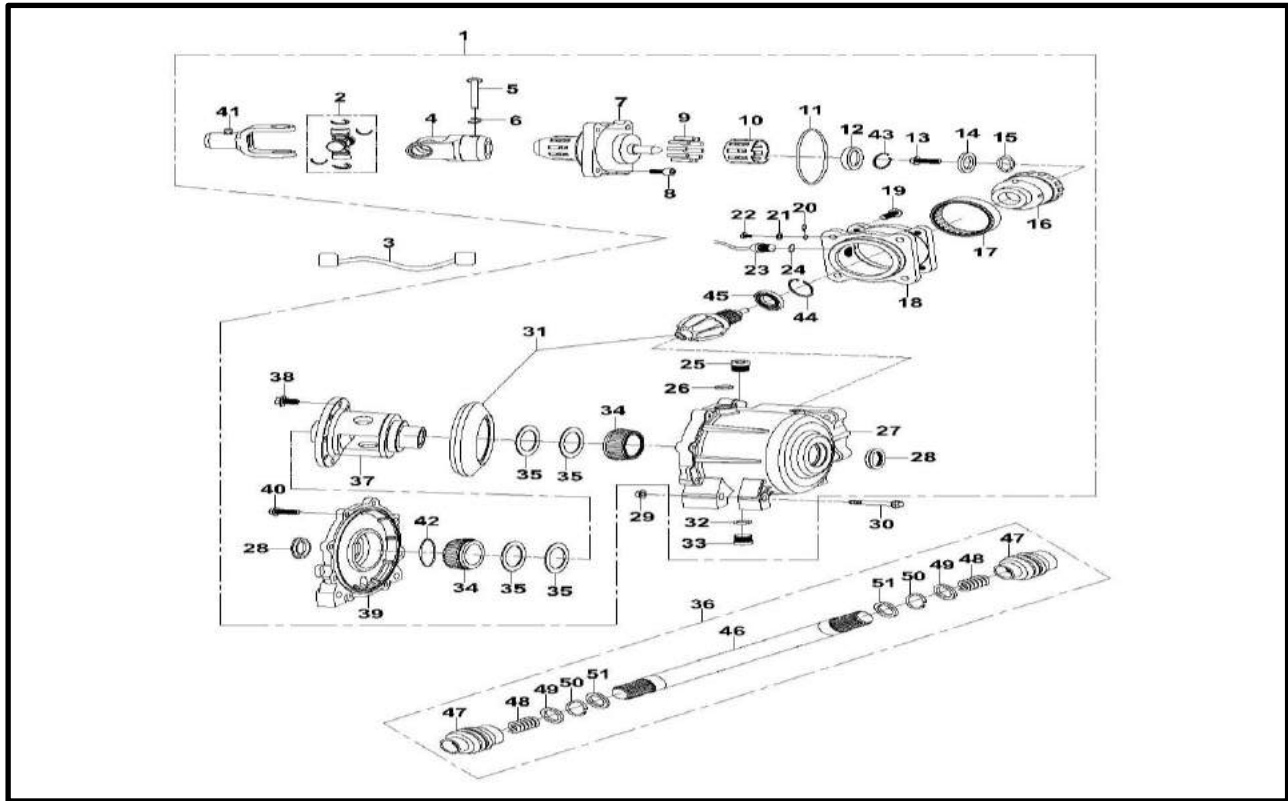


# Rear Axle Reducer



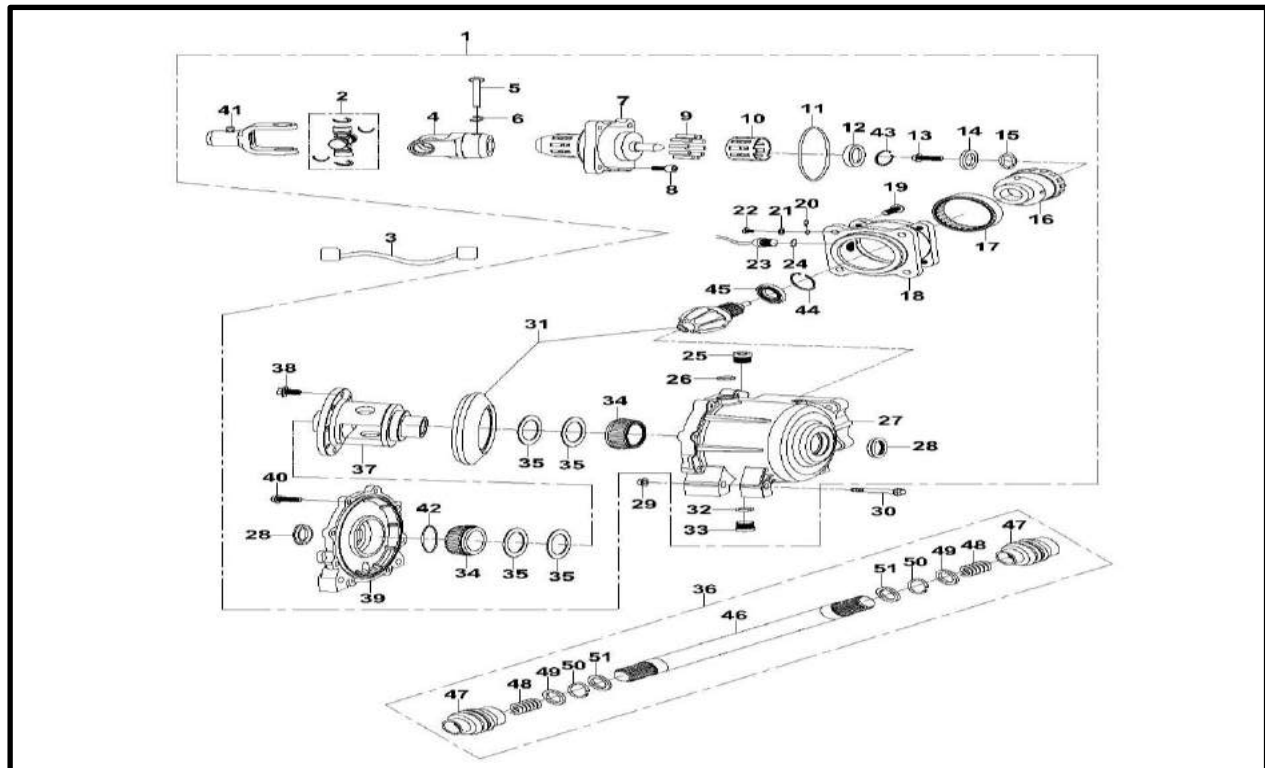
25	P116000272320000	Bolt Of Shift Fork
26	BGB66593-φ8×φ1	O-Ring φ8×φ1
27	PJ00000273002200	Adjustment Gasket Φ30.6×Φ46×0.1
28	BGB297-32206	Single-Row Tapered Roller Bearing 32206
29	P116000272470000	Bushing I Φ30.5×Φ38×15
30	P116000911300000	Oil Seal Φ40×Φ72×7
31	P116000272460000	Gasket Φ30.5×Φ38×2
32	PJ00000273002200	Adjustment Gasket Φ30.6×Φ46×0.1
33	P116000272440000	Bushing li Φ30.5×Φ38×6.4
34	P116000272670000	O-Ring Φ3×Φ24
35	P116000272520000	Rear Drive Shaft Connecting Seat
36	P115000272140000	Washer Drive Gears
37	P116000272510000	Hexagon Flange Bolt 12×1.75×30
38	P116000272010000	Rear Axle Gear Box Cover
39	BGB16674-M8×25	Hexagon Flange Bolt M8×25
40	PJ00000907100400	Elastic Hoop E
41	PJ00000274000200	Pipe Rear Axle
42	P116000515600000	Rear Axle Upper Mounting Plate I
43	P116000516010000	Rear Axle Upper Mounting Plate II
44	BGB16674-M10×1.25×145	Hexagon Flange Bolt M10×1.25×145
45	PJ00000929003800	Bush φ10.5×φ22×25
46	BGB16674-M10×1.25×25	Hexagon Flange Bolt M10×1.25×25
47	BGB6187-M10×1.25	Hexagon Flange Locked Nut M10×1.25
48	PJ00000251021200	Dust proof Rubber Cover for spline

# Front Differential Assy



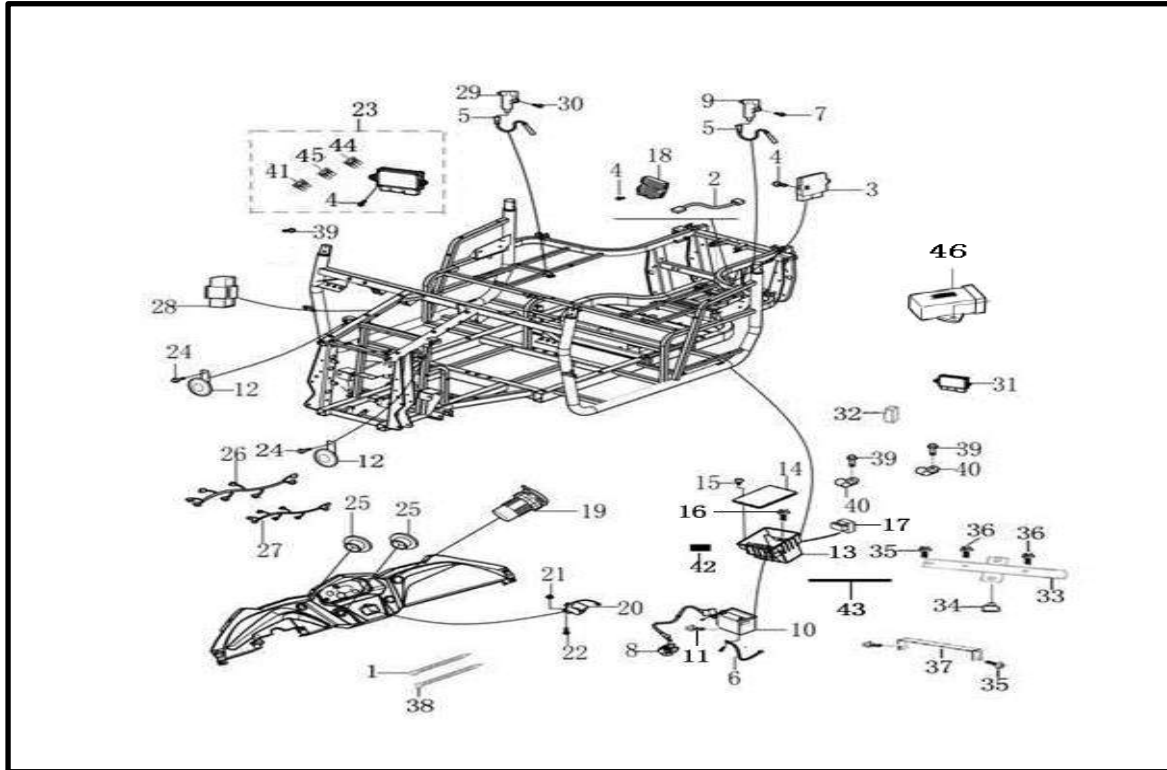
1	P116000271000001	Front Differential Assy
2	PJ00000255000100	Universal Joint Assy
3	P116000363200000	Connecting Cable Sensor
4	PJ00000254000400	Connection Fork I
5	P116000270380000	Pin
6	BGB896-5	Circlip $\Phi 5$
7	P116000271070000	Rollway Assy
8	BGB70.1-M8x20	Hexagon Socket Cap Screw M8x20
9	P116000271130000	Pin Roller
10	P116000271260000	Holder
11	P116000271270000	O-Ring $\phi 78 \times \phi 3.1$
12	BGB276-61906	Bearing 61906
13	BGB16674-M12x1.25x30	Hexagon Flange Bolt M10x1.25x30
14	P115000272140000	Washer Drive Gears
15	BGB93-12	Spring Washer 12
16	P116000271420000	Outer raceway
17	BGB5801-NA4910	Bearing NA4910
18	P116000271050000	Mounting Seat
19	BGB16674-M8x30	Hexagon Flange Bolt M8x30
20	P116000271330000	Clip
21	BGB96.1-6	Plain washer 6
22	BGB818-M6x10	Screw M6x10
23	P107000363000000	Speed Sensor Comp
24	BGB3452.1- $\phi 18 \times \phi 2.65$	O-Ring $\phi 18 \times \phi 2.65$
25	P116000271450000	Oil Drain Bolt, Front Axle

# Front Differential Assy



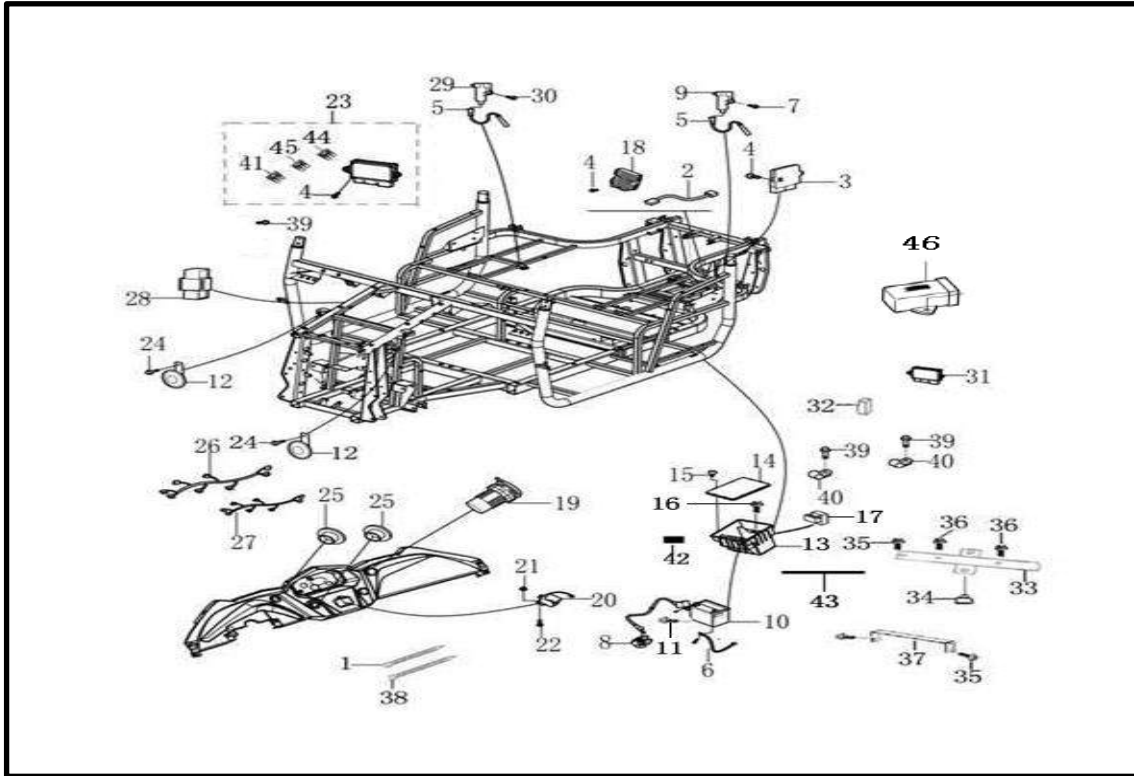
26	BGB3452.1-φ18×φ2.65	O-Ring φ18×φ2.65
27	P116000271020000	Front Axle Gear Box
28	P116000911310000	Front Diff. Output Shaft Oil Sealφ30×φ45×8
29	BGB16674-M10×1.25×80	Hexagon Flange Bolt M10×1.25×80
30	BGB6187-M10×1.25	Hexagon Flange Locked Nut M10×1.25
31	P116000271510000	Drive & Driven Gears Assy, Front Axle
32	BGB3452.1-φ18×φ2.65	O-Ring φ18×φ2.65
33	P116000271450000	Oil Drain Bolt, Front Axle
34	BGB297-32008	Single-Row Tapered Roller Bearing 32008
35	PJ00000273000600	Adjustment Gasket Φ40×Φ57×0.1
36	P116000251500000	Front Drive Shaft Assy, Front Diff.
37	P116000271210000	Transfer Case Assembly
38	P116000271460000	Mounting Seat
39	P116000271030000	Front Axle Gear Box Cover
40	BGB16674-M8×25	Hexagon Flange Bolt M8×25
41	PJ00000254000200	Connection Fork C
42	P116000271470000	Seal Ring
43	轴用弹性挡圈φ32	
44	BGB893.1-d0=72	Circlip d0=72
45	BGB276-6306	Bearing 6306
46	PJ00000251001200	Front Drive Shaft M
47	PJ00000251020200	Rubber cover Drive Shaft
48	PJ00000251030100	Pressure Spring, Drive Shaft
49	PJ00000251010000	Bushing, Drive Shaft
50	BGB895.2-d0=25	Circlip D0=25
51	PJ00000251050100	Hoop B

# Electrical Parts



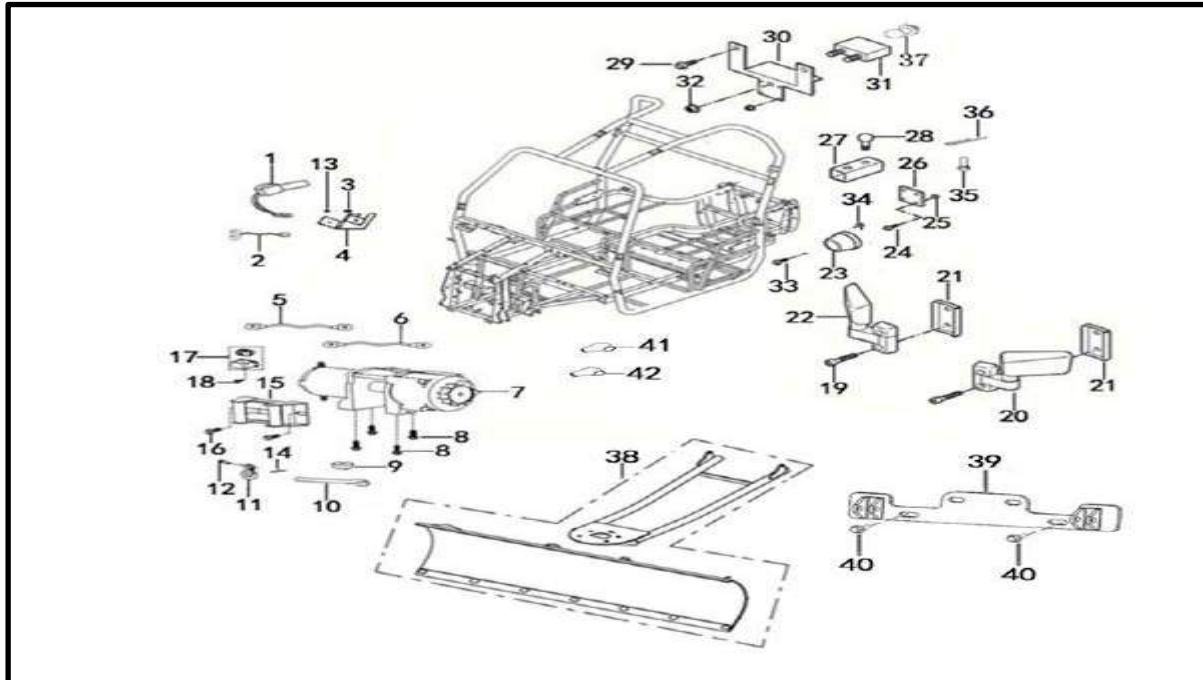
1	P115000896520000	Ribbon
2	P116000343400000	Rectifier Output Wire
3	PJ00000392000000	ECU controller assy
4	BGB16674-M6x20	Hexagon Flange Bolt M6x20
5	P116000331010000	Connecting Cable Ignition Coil
6	P116000343200000	Negative Cable Battery
7	BGB16674-M6x35	HexagonFlangeBoltM6x40
8	P311001377050000	Starter Relay
9	P116000331000000	Ignition Coil
10	P115000322000000	Battery
11	BGB16674-M6x20	Hexagon Flange Bolt M6x20
12	P1150003461A0000	Horn Assy.
13	P116000829070000	Battery Box
14	P116000829060000	Battery Cover
15	PJ00000905200400	CrossBigPlateHeadScrewM6x12
16	BGB16674-M6x16	Hexagon Flange Bolt M6x16
17	P116000379300000	Magnetic Valve Controller
18	P311001321000000	Rectifier/Voltage regulator
19	P115000371750000	Dc Socket
20	P116000371100001	2Wd/4WdSwitch
21	BGB6177.1-M5	Hexagon Flange nut M5
22	PJ00000905200100	Cross Large Plate Head Screw M5x16
23	P116000377300000	Relay Assy (EFI )

# Electrical Parts



24	BGB16674-M6×20	Hexagon Flange Bolt M6×20
25	P115000823110000	Light Switch Cover
26	P116000341001000	Main Cable Assy.
27	P116000342000001	EFI Cable
28	P311001379200000	Fan Controller
29	P116000331000000	Ignition Coil
30	BGB16674-M6×20	Hexagon Flange Bolt M6×20
31	P311001377350000	Main Relay Assy
32	P115000346200000	Flasher
33	P116000515210000	Press Plate, Battery
34	PJ00000931150500	Cushion Washer φ10×27
35	BGB16674-M6×16	Hexagon Flange Bolt M6×16
36	BGB16674-M6×20	Hexagon Flange Bolt M6×20
37	P116000515560000	Bracket for battery box
38	p115000896510000	Ribbon
39	BGB16674-M6×16	Hexagon Flange Bolt M6×16
40	P115000190150000	Water Pipe Clip III
41	PJ00000383110000	Fuse 5A
42	PJ00000940100000	Washer 50×30
43	PJ00000932300200	Rubber ribbon II
44	PJ00000383120000	Fuse 10A
45	PJ00000383130000	Fuse 15A
46	P311001379700000	Cylinder Non-work Controller

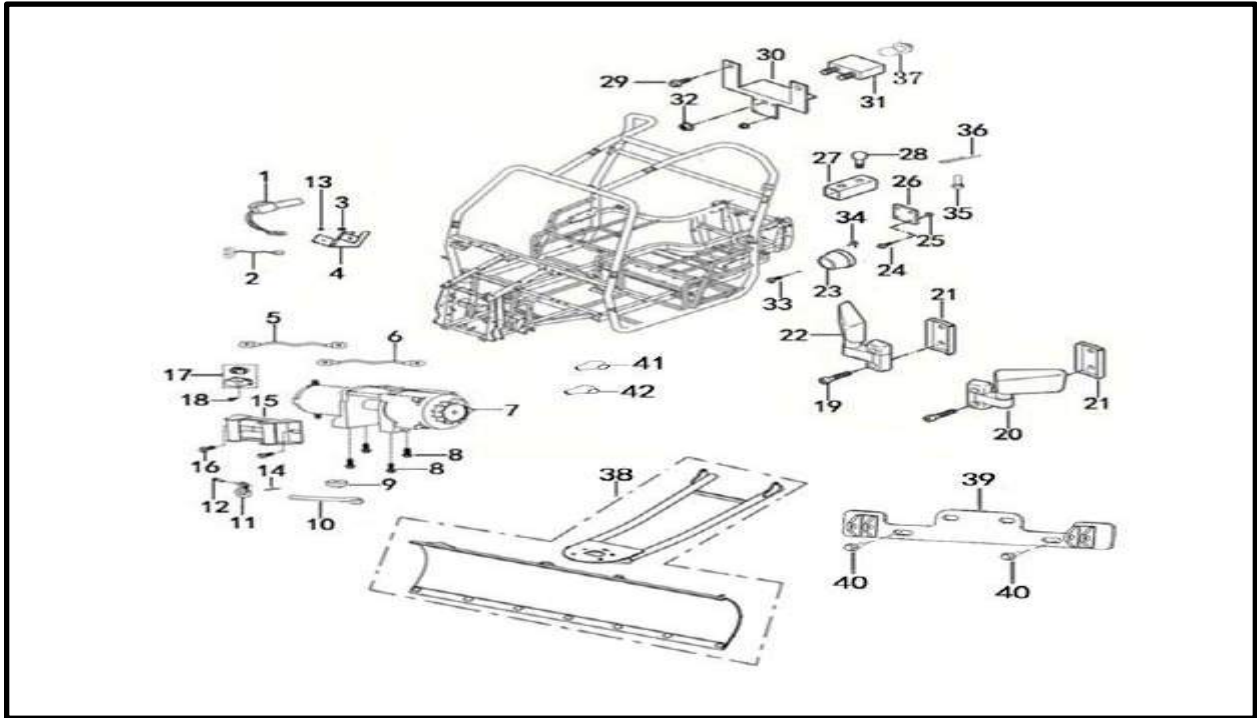
# Winch



1	P115000899060000	Control switch Winch
2	P115000899080000	Cable Winch
3	PJ00000905200500	Cross Large Plate Head Screw M6×16
4	P115000516410000	Mounting Board For Controller
5	P115000343800000	Winch Motor Cable
6	P116000344000000	Battery Cable Winch
7	P115000899000100	Winch Assy
8	BGB16674-M8×16	HexagonFlangeBoltM6×16
9	P115000899040000	Plastic Snap Ring
10	P115000899050000	Hand Tape
11	P115000899010000	Hook
12	P115000899090000	Fixing Pin Φ9.5×40
13	BGB6187-M6	Hexagon Flange Locked Nut M6
14	BGB91-2.5×30	Cotter Pin 2.5×30
15	P115000899020000	Roller guide rope device
16	BGB16674-M10×1.25×20	Hexagon Flange Bolt M10×1.25×20
17	P115000377400000	Winch Relay
18	BGB16674-M6×16	Hexagon Flange Bolt M6×16
19	BGB70.1-M6×30	ScrewM6×30
20	P115N00892100000	Left Mirror
21	P115000892300000	Mirror mounting pad
22	P115N00892200000	Right Mirror

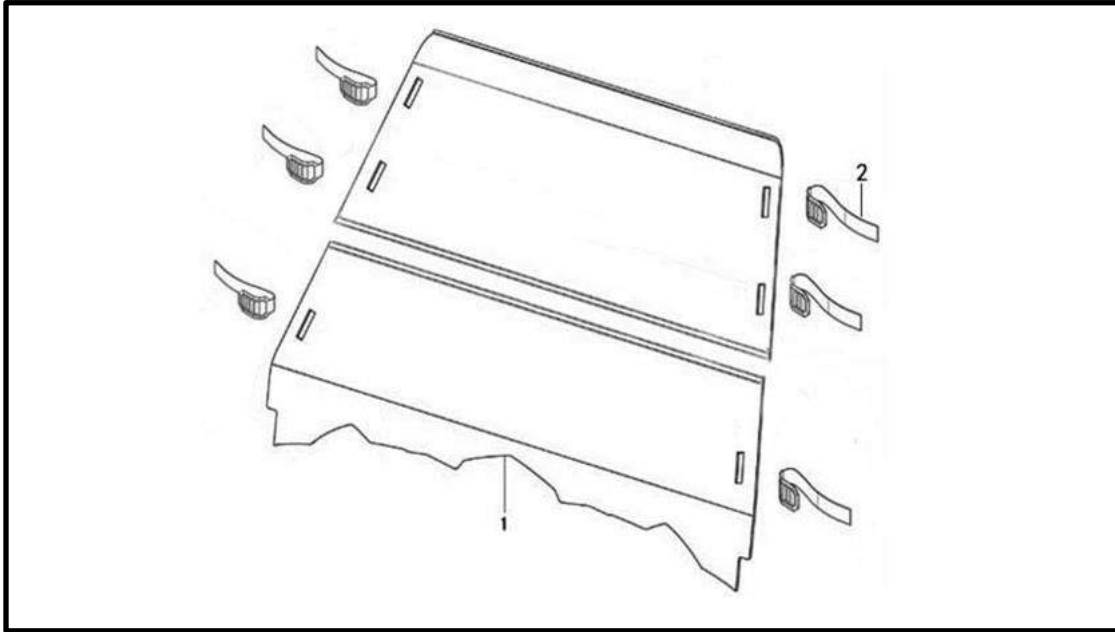


# Winch



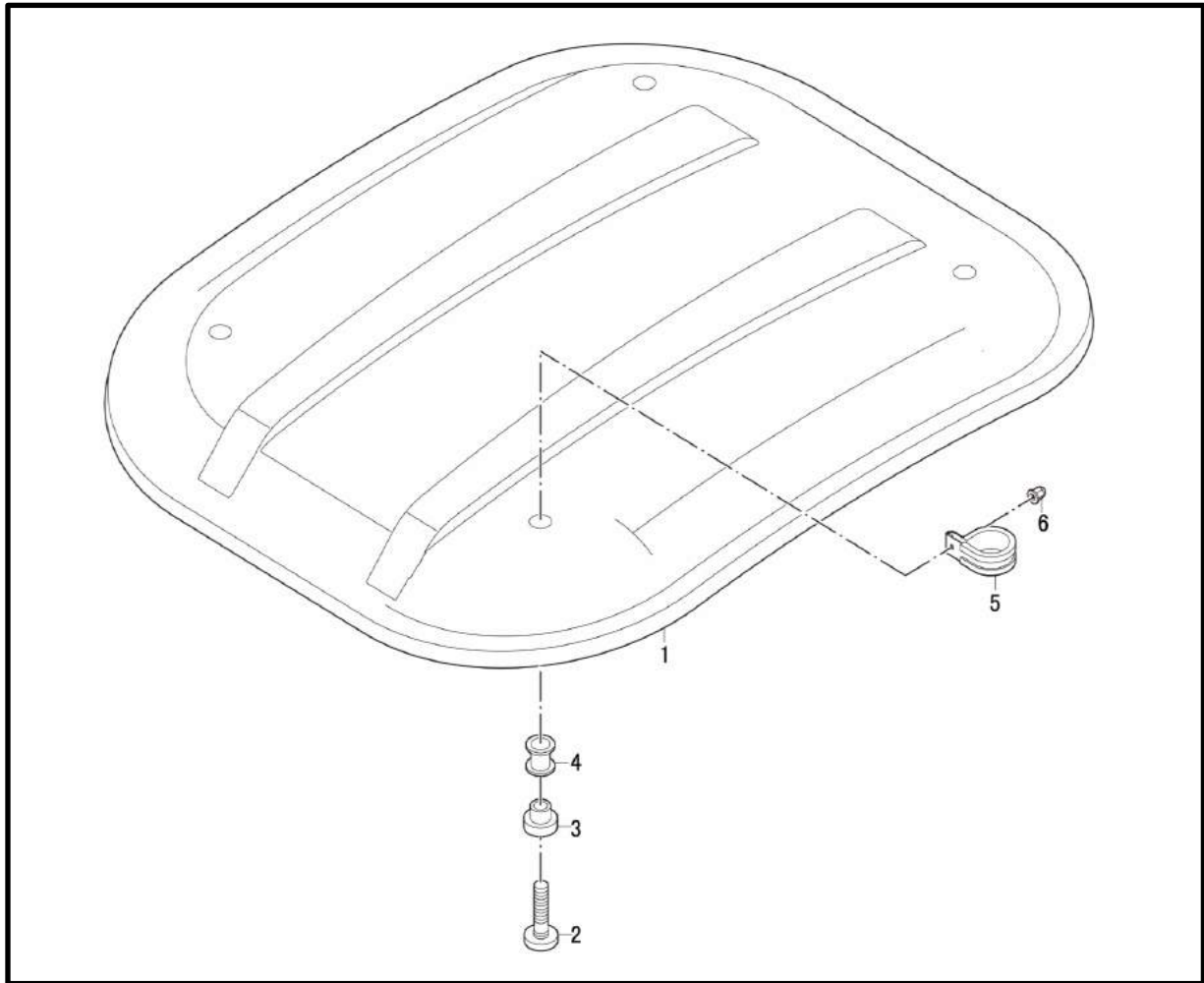
23	P115000371850000	Jack Assy
24	BGB16674-M6×16	Hexagon Flange Bolt M6×16
25	BGB6177.1-M6	Hexagon Flange Nut M6
26	P115000516420000	Fix Board Jack Assy
27	PJ00000519100200	Rear Hitch Joint C
28	PJ00000519300000	Hitch Ball A
29	BGB16674-M6×12	Hexagon Flange Bolt M6×12
30	P116000515370000	Mounting plate license tag
31	P311001353250000	Rear License Plate Lamps
32	BGB6177.1-M5	Hexagon Flange nut M5
33	BGB818-M5×35	Screw M5×35
34	BGB6177.1-M5	Hexagon Flange nut M5
35	PJ00000929701000	Pin
36	PJ00000908050000	
37	PJ00000384310000	Position Light Bulb 12V; W5W
38	P115000893100000	Snow Plough I (Length:1.2M)
	P115000893200000	Snow Plough II (Length:1.52M)
	P115000893300000	Snow Plough III (Length:1.83M)
39	P312001515600000	Mounting Plate, Snow Plough
40	BGB16674-M10×1.25×25	Hexagon Flange Bolt M10×1.25×25
41	P115000899130000	Insulator Plug (Positive Pole)
42	P115000899140000	Insulator Plug (Negative Pole)

# Windscreen



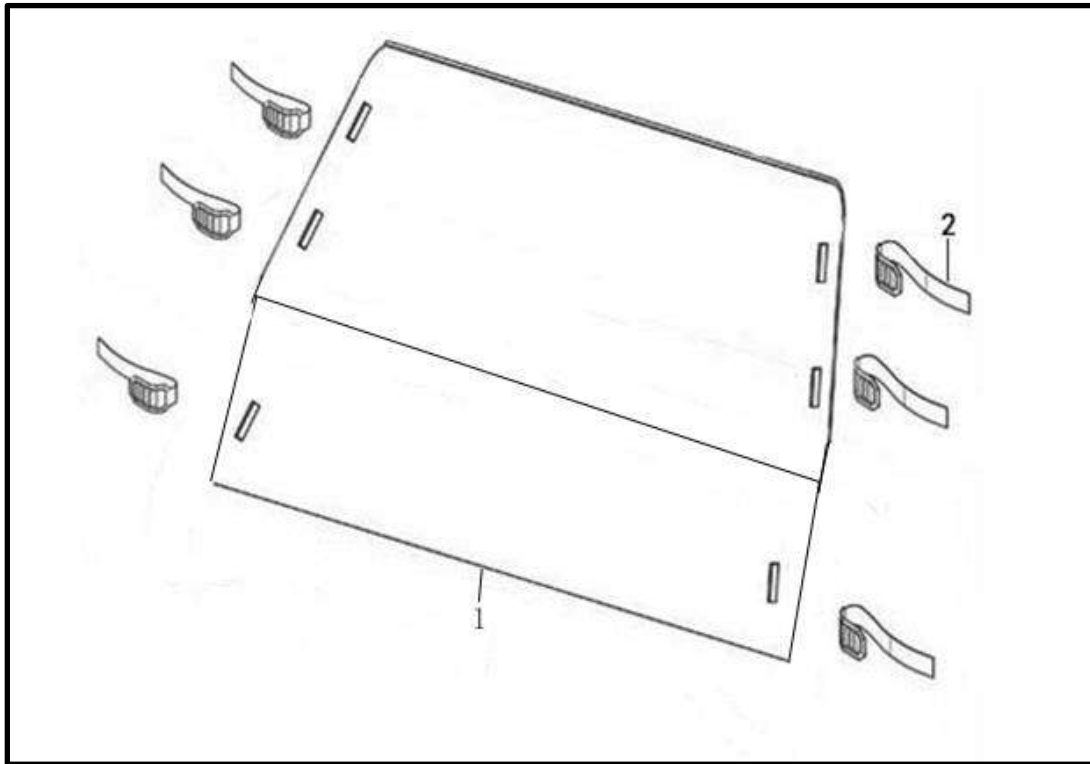
1	P116000861140000	Foldable Windscreen
	P116000861150000	Foldable Windscreen
	P116000861130000	Foldable Windscreen
2	P112000862300000	Buckle Assy

# Roof



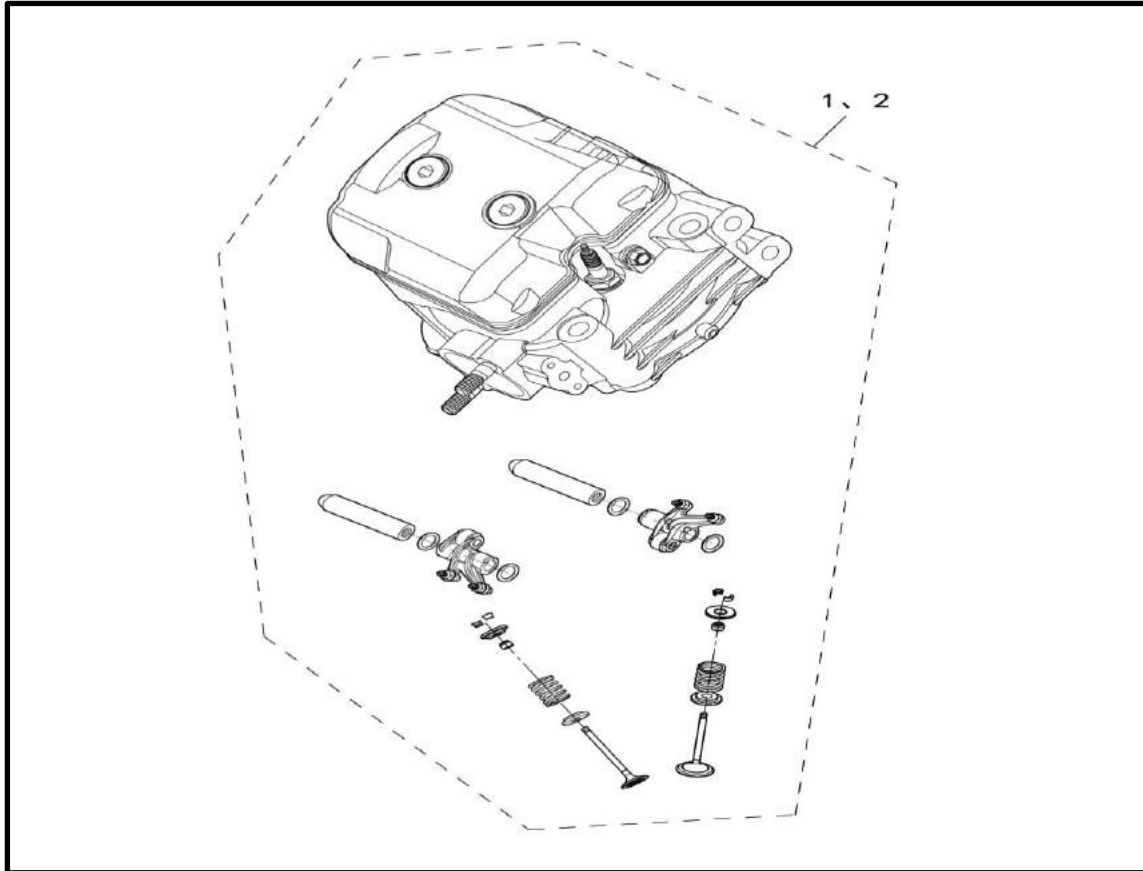
1	P116000825180000	Roof
2	PJ00000905200800	Cross Large Plate Head Screw M6×30
3	PJ00000929302000	Flanging Bush Φ6.3×Φ9×12
4	PJ00000931250100	H-Shaped Rubber Ring φ7×φ20-12
5	P116000863200000	Pipe Clip I
6	PJ00000903460100	Cap nut M6×17

# Windscreen



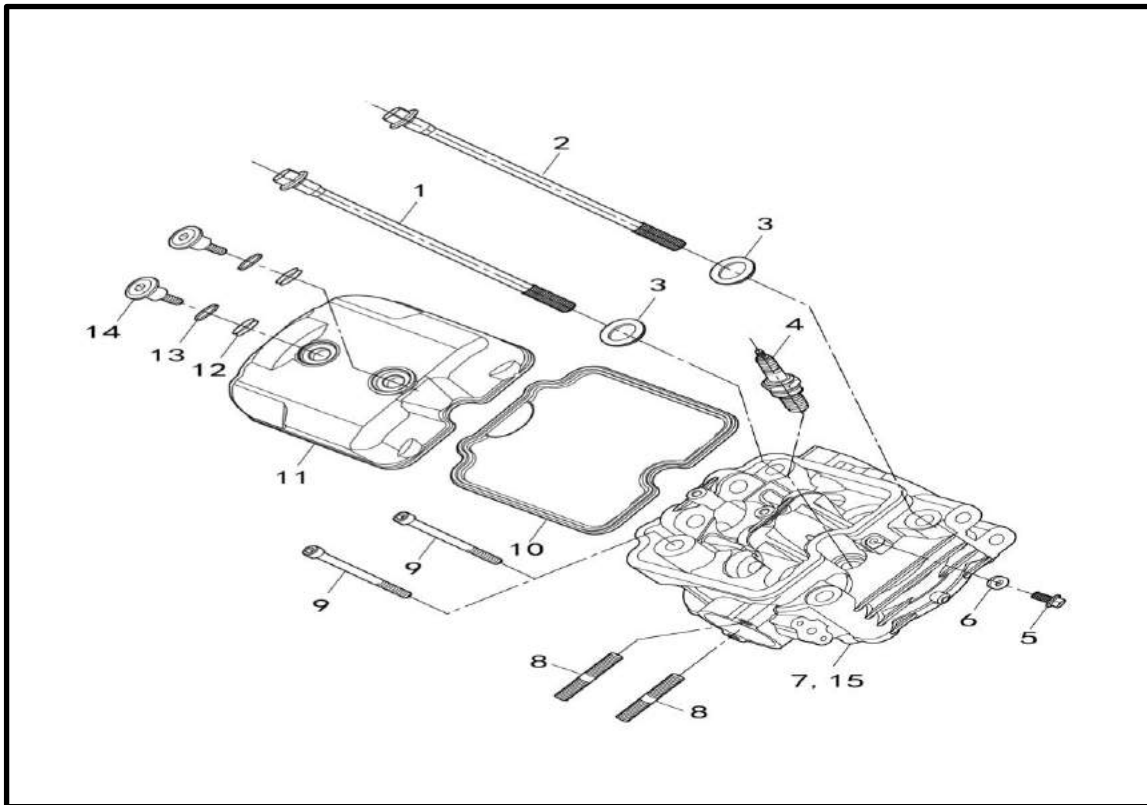
1	P116000862100000	Rear windscreen
2	P301001862300000	Buckle Assy

# Cylinder Head



1	P012000122000100	Cylinder Head Assembly Cylinder (1)
2	P012000122000200	Cylinder Head Assembly Cylinder (2)

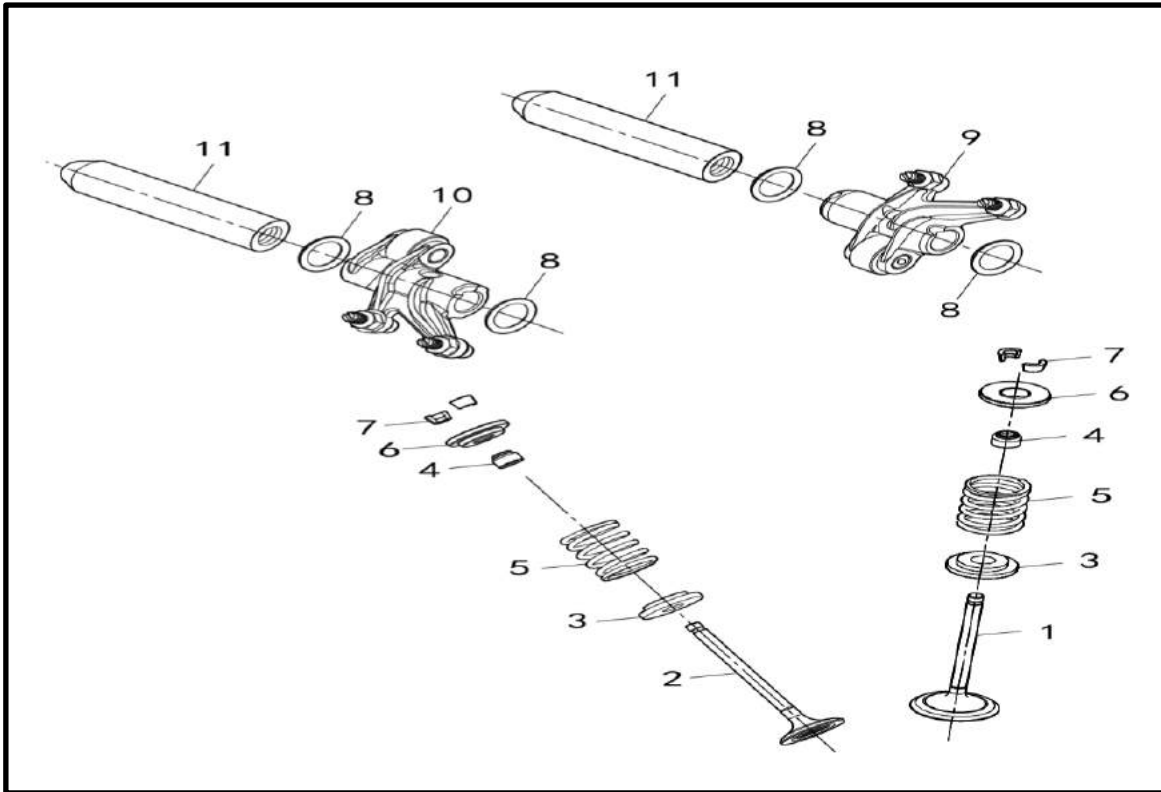
# Cylinder Head



1	P012000110120000	Cylinder bolts M10×1.25×165
2	P012000110180000	Cylinder bolts M10×1.25×195
3	PJ00000906020500	Copper Washer 10×18×3
4	P010000333000000	Spark Plug Ngk Dcpr7E
5	BGB5787-M6×12	Hexagon Flange Bolts M6×12
6	PJ00000906010100	Aluminum Washer 6×12×1.5
7	P0120001220A0200	Cylinder Head assy Cylinder (2)
8	BGB901-M8×45-B	Stud M8×45(Sus)
9	BGB70-M6×100	Hexagon socket head cap screws M6×100
10	P010000123120000	Seal 1PK-N769C-4
11	P010000123110000	Cover Cylinder Head
12	PJ00000906010900	Aluminum Washer 14×22×1.5
13	P010000123250000	Gasket Cylinder Head Cover Bolts
14	P010000123260000	Bolts M6×25
15	P0120001220A0100	Cylinder Head assy Cylinder (1)

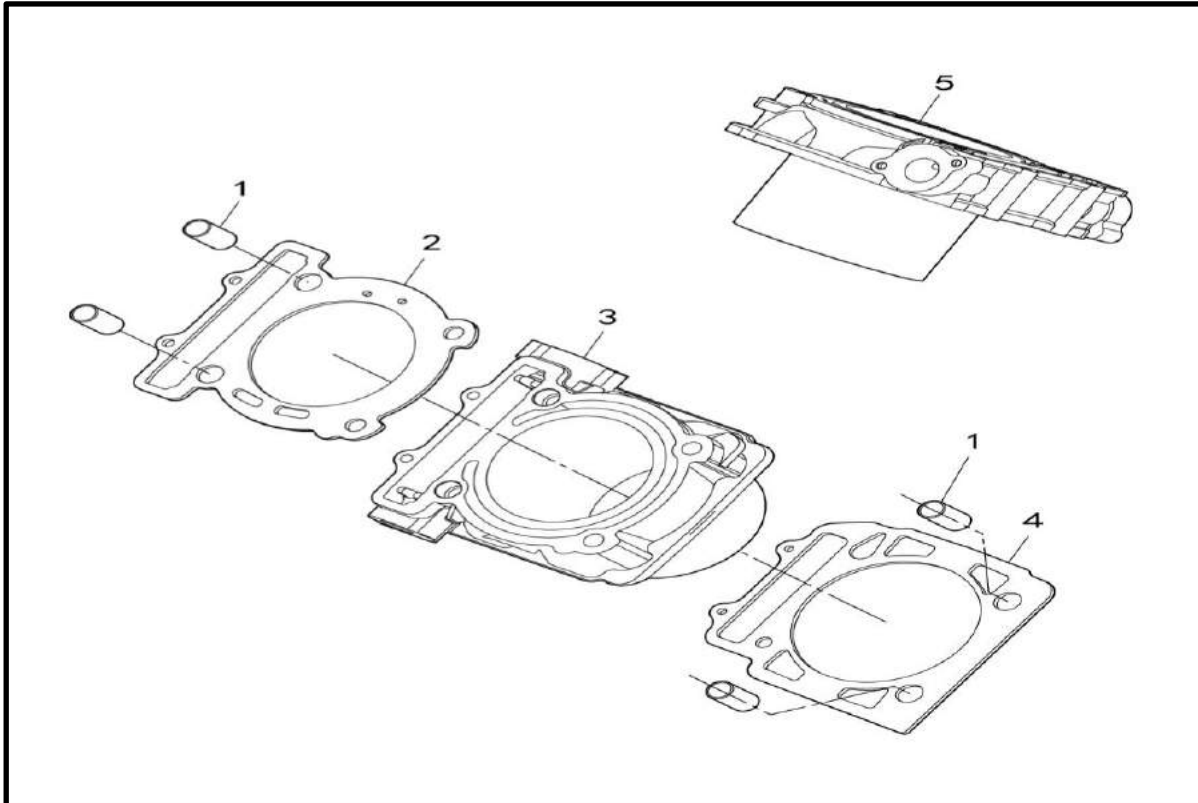


# Valve



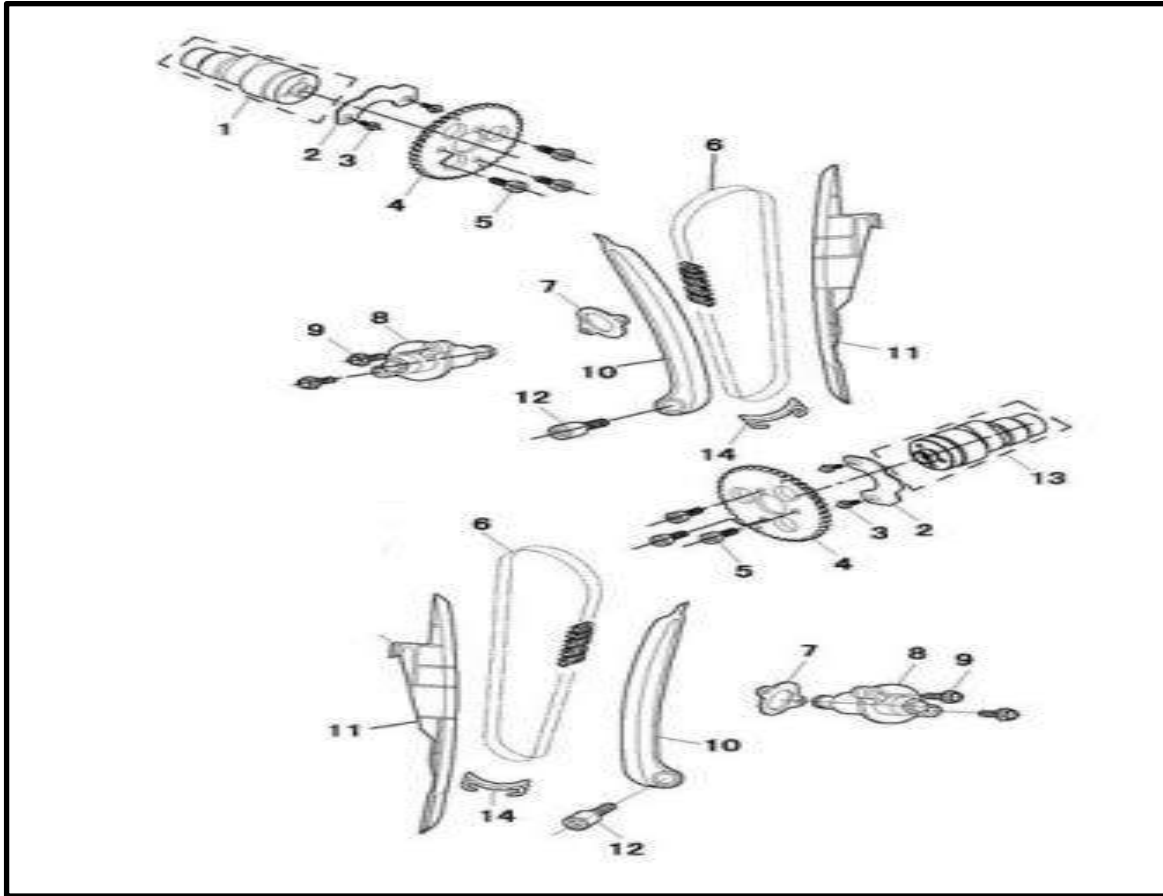
1	P010000147110000	Intake Valve
2	P010000147210000	Exhaust Valve
3	P010000147020000	Valve Spring Seat
4	P010000147050000	Valve Stem Seal
5	P010000147030000	Spring Valve
6	P010000147070000	Retainer Valve Spring
7	P010000147130000	Valve Lock Keeper
8	PJ00000906004100	Washer 12.5×17×0.5
9	P0100001441A0000	Intake Valve Rocker
10	P0100001442A0000	Exhaust Valve Rocker
11	P010000144030000	Valve Rocker shaft

# Cylinder



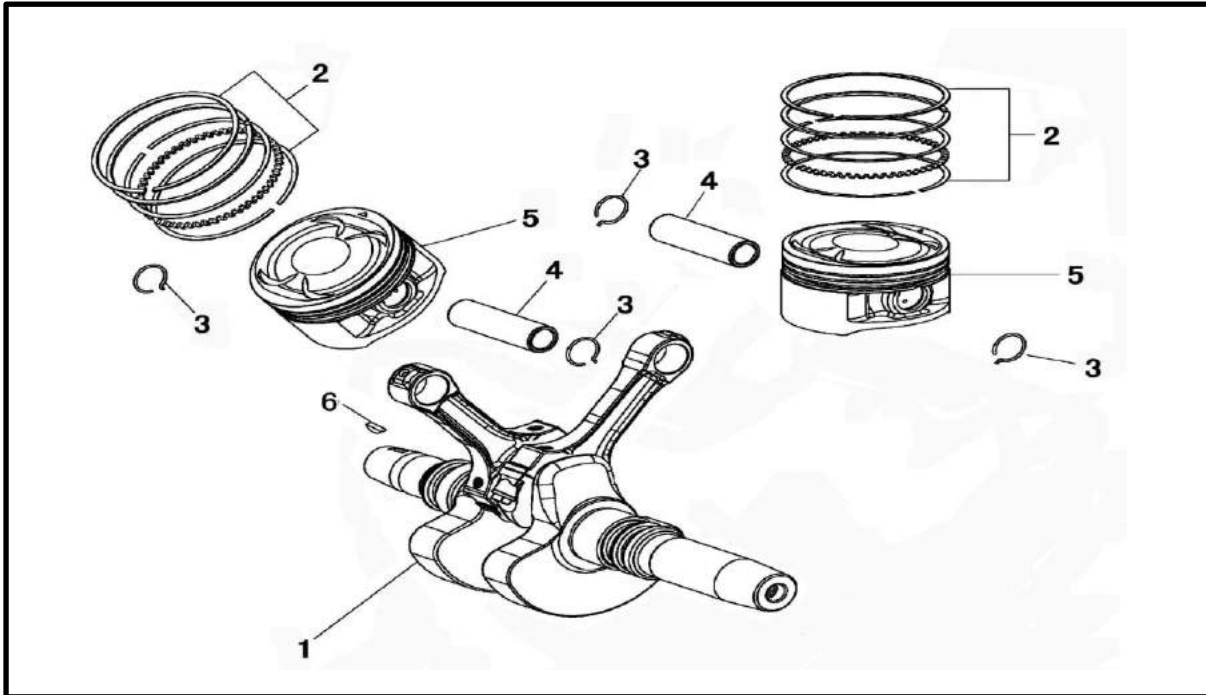
1	PJ00000908020600	Pin Dowel 14×16
2	P0100001207A0100	Gasket Cylinder Head
3	P0120001211A0200	Cylinder Body assy Cylinder (2)
4	P010000120090000	Gasket Cylinder Base
5	P0120001211A0100	Cylinder Body assy Cylinder (1)

# Valve mechanism



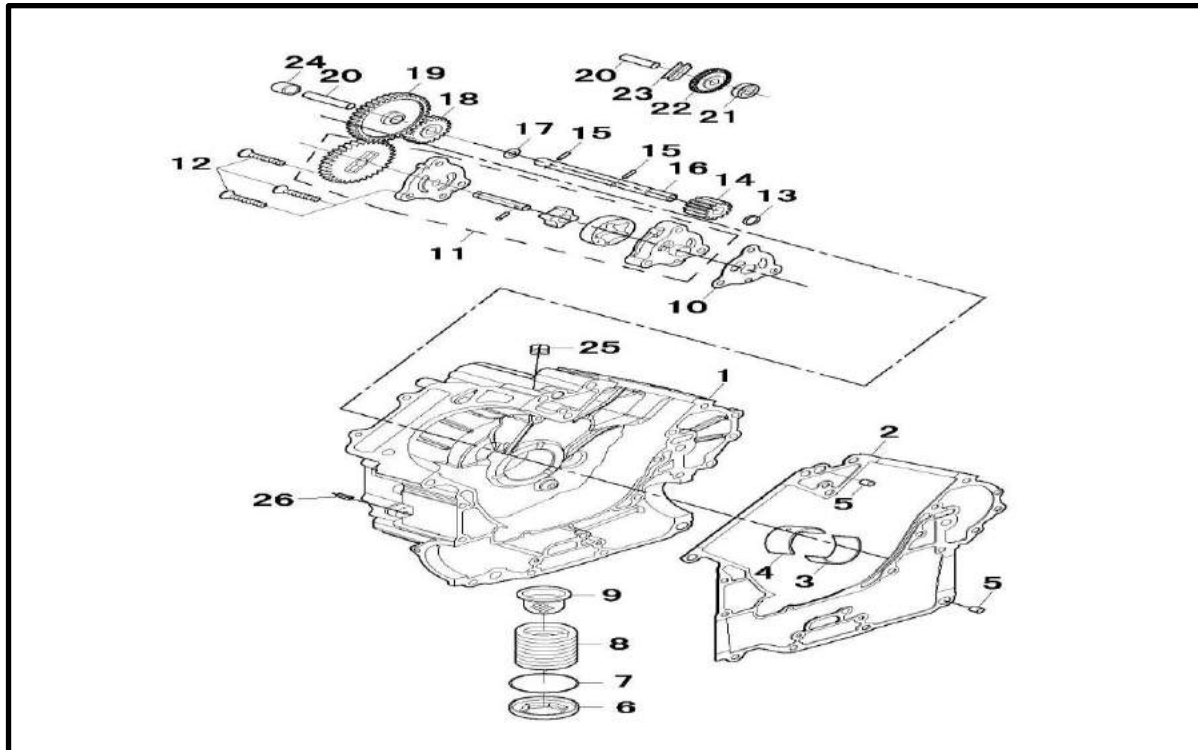
1	P012000142120000	Camshaft II
2	P010000143060000	Camshaft Limiting Plate
3	BGB5787-M6×12	Hexagon Flange Bolts M6×12
4	P012000143040000	Timing Driven Sprocket
5	BGB70-M6×16-10.9-F	Hexagon socket head cap screws M6×16-10.9
6	P012000143020000	Timing Chain M7-6.35-118
7	P012000145080000	Gasket Tensioner
8	P012000145300000	Tensioner Assy.
9	BGB5787-M6×25	Hexagon Flange Bolts M6×25
10	P0100001451B0000	Timing Chain Tensioner Guide
11	P0100001452B0000	Timing Chain Guide
12	P010000145010000	Tensioner bolts M6×12
13	P012000142110000	Camshaft I
14	P010000145070000	Chain Plate

# Crankshaft & Piston



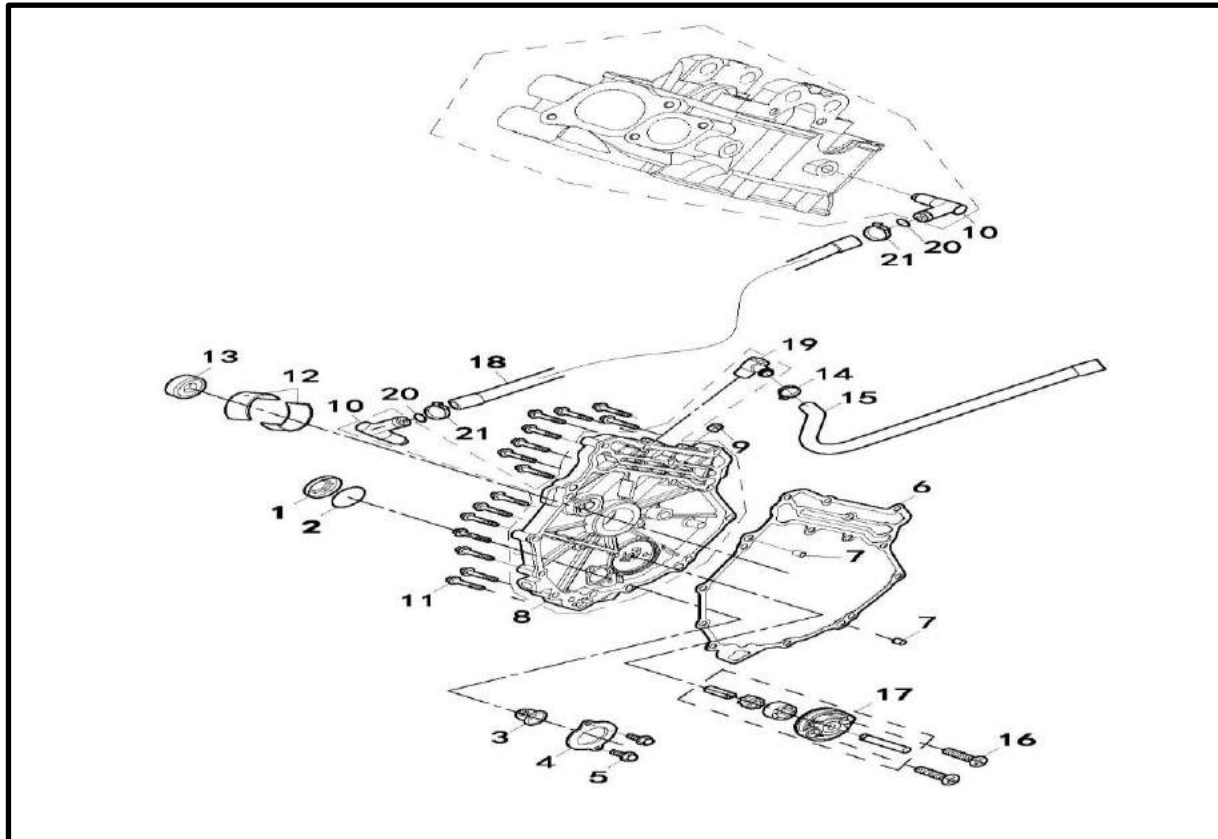
1	P012000134000000	Crankshaft Assy
	P017000134000000	Crankshaft Assy
2	P0120001311A0000	Piston Ring Set
3	P007000131070000	Circlip Piston Pin
4	P012000131020000	Piston Pin
5	P012000131010000	Piston
6	P010000130010000	Key

# Crankcase Cover



1	P0120001110A0000	Right Crankcase Assy
2	P012000110190000	Right Crankcase Assy
3	P010000134010000	Gasket Crankcase
4	P010000134020000	Crankshaft Bearing RB9173KU
5	PJ00000908020300	Crankshaft Bearing RB9173KL
6	P002000111070000	Pin Dowel 10×16
7	PJ00000912014700	Blind Nut Oil Drainage
8	P002000152040000	O-Ring 36×3.5
9	P002000152030000	Filter Spring
10	P010000151010000	Oil Filter Strainer
11	P010000151100000	Oil Pump Assy
12	BGB819.1-M6×30	Cross recessed countersunk head screw M6×30
13	BGB894.1-10	Circlip for shaft Ø10
14	P010000197090000	Water pump driven gear
15	PJ00000908010800	Pin Ø4×21
16	P010000197070001	Water Pump Shaft I
17	PJ00000906001300	Washer 10.3×17×1
18	P010000197080000	Water Pump driving gear
19	P010000150020000	Oil Pump Middle Gear
20	P010000245040000	Duplicate Gear Shaft Ø10×50
21	BGB276-6200RS	Bearing 6200RS
22	P010000153080000	Oil Separator
23	P010000153090000	Seal 1PK-VS-0020C-A-4
24	P010000110350000	Bushing Ø10×Ø20×11
25	PJ00000904060200	Screw Plug NPT1/8
26	PJ00000908010100	Pin Ø6×12

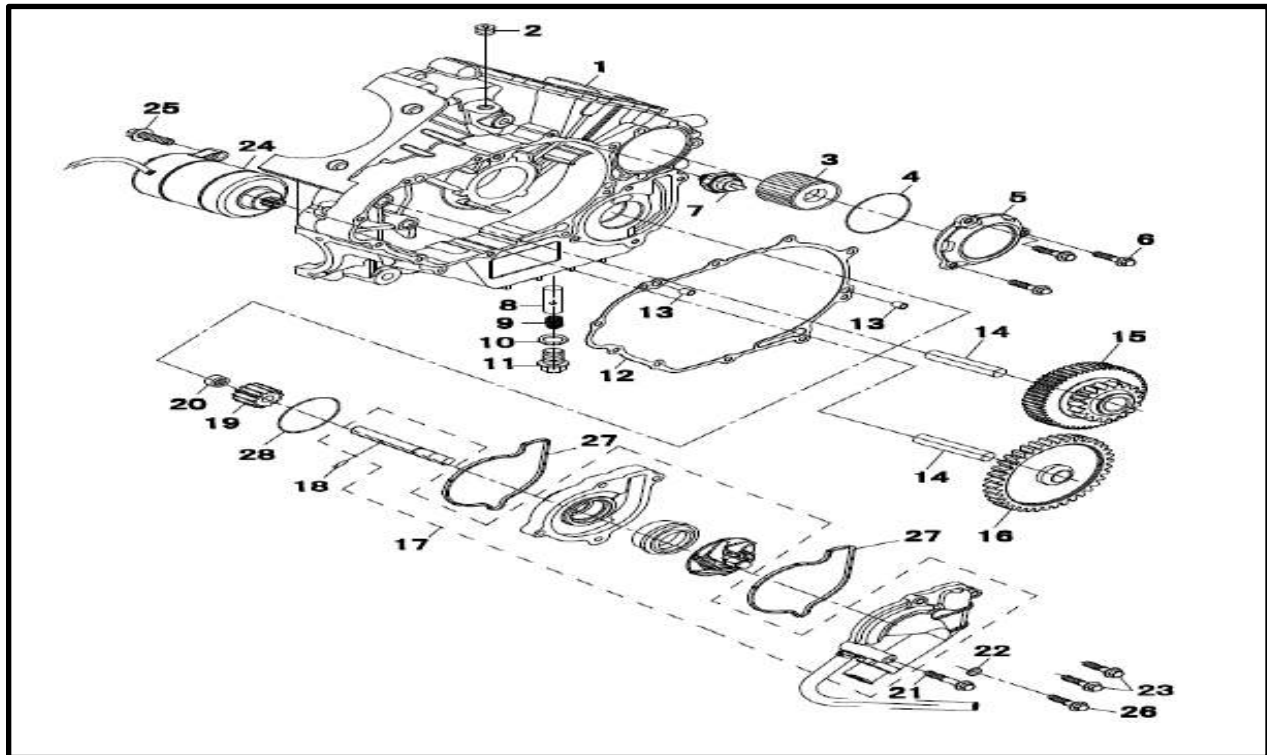
# Right Crankcase



1	P007000123020000	Cover Exhaust Valve
2	PJ00000912014200	O-Ring 32.7×3.1
3	P010000152030000	Oil Filter Strainer
4	P024000224120000	Holder Drive sprocket
5	BGB5787-M6×12	Hexagon Flange Bolts M6×12
6	P010000110170000	Gasket Right Crankcase Cover
7	PJ00000908020100	Pin Dowel 8×12
8	P0100001131A0000	Right Crankcase Cover Assy
9	P010000112050000	Oil Plug M10×1.25×12 Crankcase
10	P010000111050000	Oil Pipe Joint
11	BGB5787-M6×30	Hexagon Flange Bolts M6×30
12	P010000134030000	Crankcase Cover Bearing MB9340KS
13	PJ00000911013300	Oil Seal 34×52×7
14	PJ00000907100600	Spring Clamp G Ø14
15	P010000110260000	Exhaust Pipe
16	BGB819.1-M6×30	Cross recessed countersunk head screw M6×30
17	P010000151100100	Oil Pump Assy
18	P010D00153071750	Rubber Oil Pipe 1750
19	P010000112040000	Joint Breathing Pipe
20	PJ00000912010200	O-Ring 6×2
21	PJ00000907300000	Hose Clamp Assy Ø12~Ø20

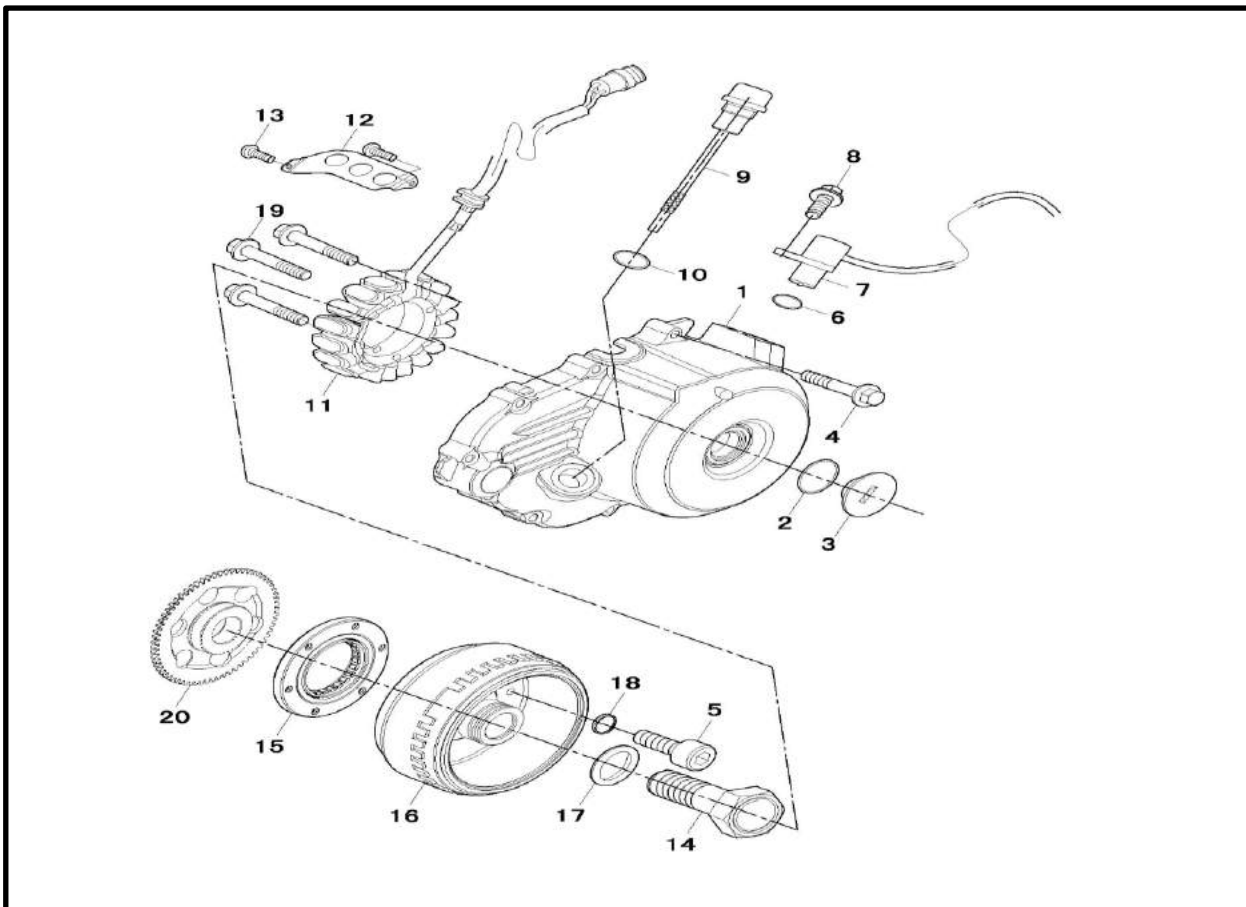


# Left Crankcase & Water pump



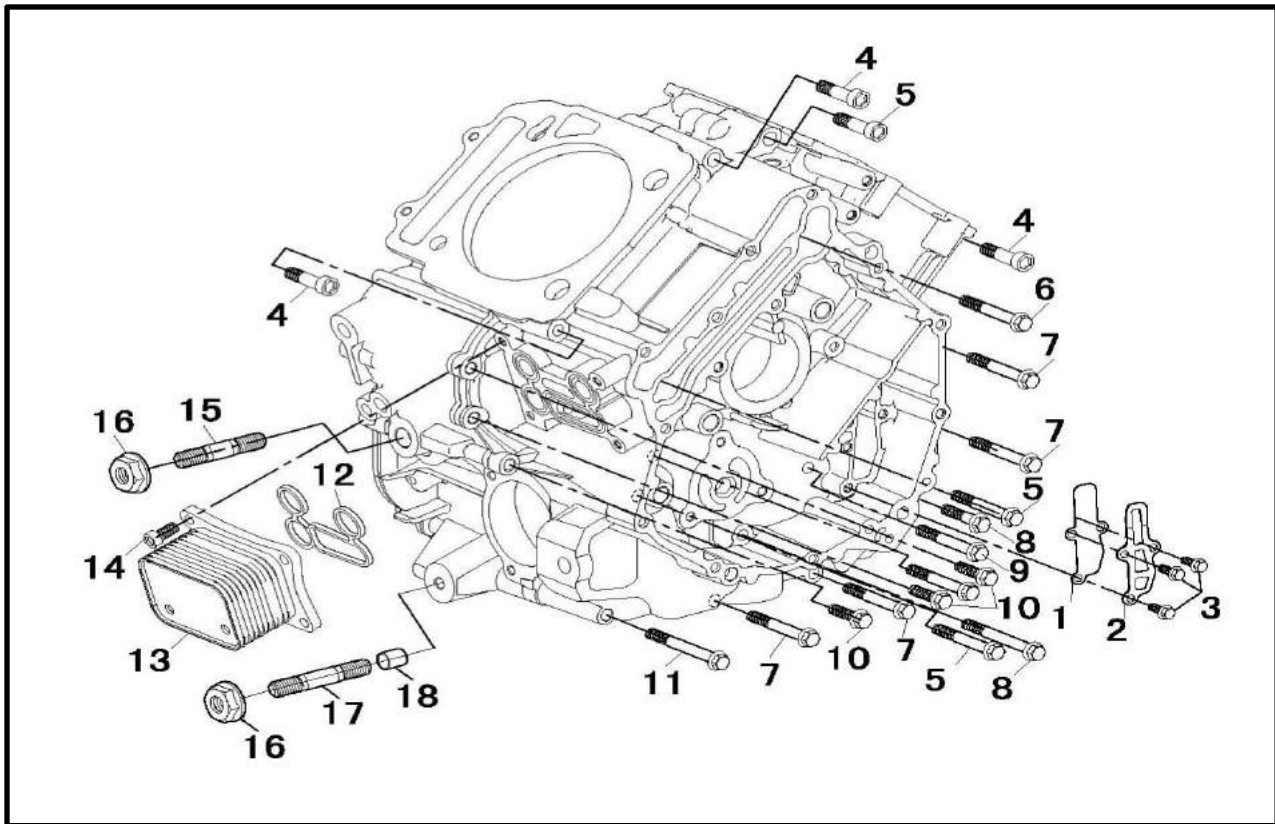
1	P0120001120A0000	Left Crankcase Assy
2	PJ00000904060200	Screw Plug NPT1/8
3	P0100001521A0000	Oil Filter
4	PJ00000912016400	O-Ring 61.5x2.4
5	P010000152050000	Oil Filter Cover
6	BGB5787-M6x20	Hexagon Flange Bolts M6x20
7	P010000365600000	Oil Pressure Sensor
8	P010000153100000	Pressure Relief Plunger
9	P003000152070000	Spring Ø8xØ1x32.5
10	PJ00000906010600	Aluminum Washer 12.5x20x2
11	P012000233150000	Hollow Bolts M12x1.25x15
12	P010000114020000	Gasket, Stator Case Cover
13	PJ00000908020100	Pin Dowel 8x12
14	P010000245040000	Duplicate Gear Shaft Ø10x50
15	P010000245030000	Starter Idler Gear
16	P010000245020000	Middle Gear
17	P010000197000000	Water Pump Assy
18	PJ00000908010700	Pin Ø4x16
19	P010000197090000	Water pump driven gear
20	P001010937000000	Needle Bearing HK1010
21	BGB5787-M6x65	Hexagon Flange Bolts M6x65
22	PJ00000906010100	Aluminum Washer 6x12x1.5
23	BGB5787-M6x35	Hexagon flange bolts M6x35
24	P012000312000000	Starter Motor Assy L1330
25	BGB5787-M8x40	Hexagon flange bolts M8x40
26	BGB5787-M6x40	Hexagon Flange Bolts M6x40
27	P010000197020000	Seal Water Pump cover 1PK-N771C-4
28	PJ00000912014500	O-Ring 34.2x2.5

# Left Crankcase Cover & Magneto



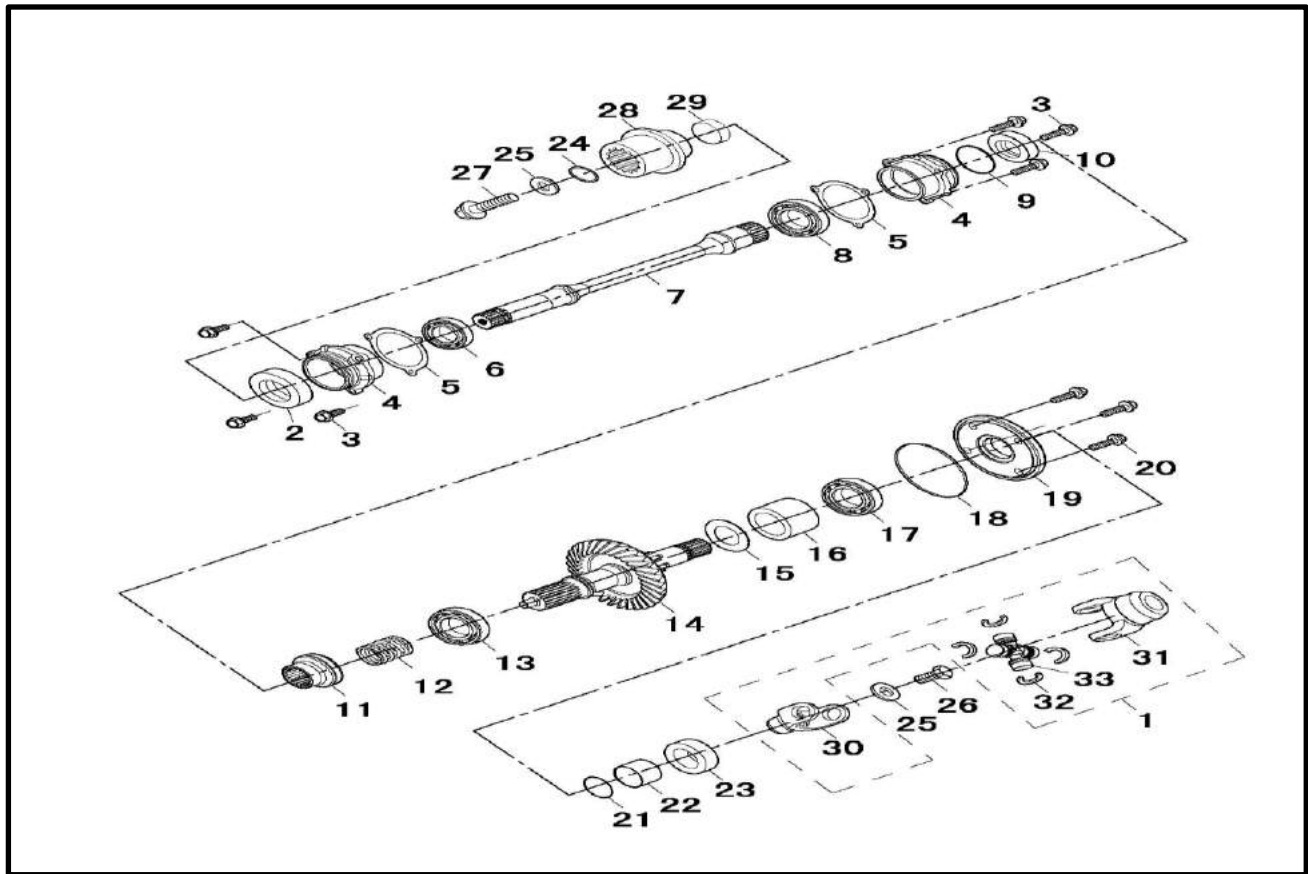
1	P010000114010000	Stator Case Cover
2	PJ00000912013200	O-Ring 24x2.5
3	P010000110030000	Big Peep Hole Cover
4	BGB5787-M6x35	Hexagon flange bolts M6x35
5	BGB70-M8x16	Hexagon Socket Head Cap Screws M8x16
6	PJ00000912012200	O-Ring 18x1.8
7	P012000391100000	Crankcase speed Sensor
8	BGB5787-M6x12	Hexagon Flange Bolts M6x12
9	P010000156500000	Oil Dipstick
10	PJ00000912012400	O-Ring 18x3.5
11	P012000311200000	Generator Stator Assy L1000
	P012000311200100	Generator Stator Assy L460
12	P010000110040000	Stator Wire Guard Plate
13	BGB818-M4x8	Cross recessed Pan head screws M4x8
14	P010000311050000	Generator Rotor Bolt M16x35
15	P010000243100000	One Way Bearing Starter
16	P012000311100000	Generator Rotor Assy
17	PJ00000906004700	Washer 17.2x30x3
18	BGB93-8	Spring Washer Ø8
19	BGB5787-M6x35	Hexagon flange bolts M6x35
20	P0100002440A0000	Starter Disk Gear Assy

# Crankcase



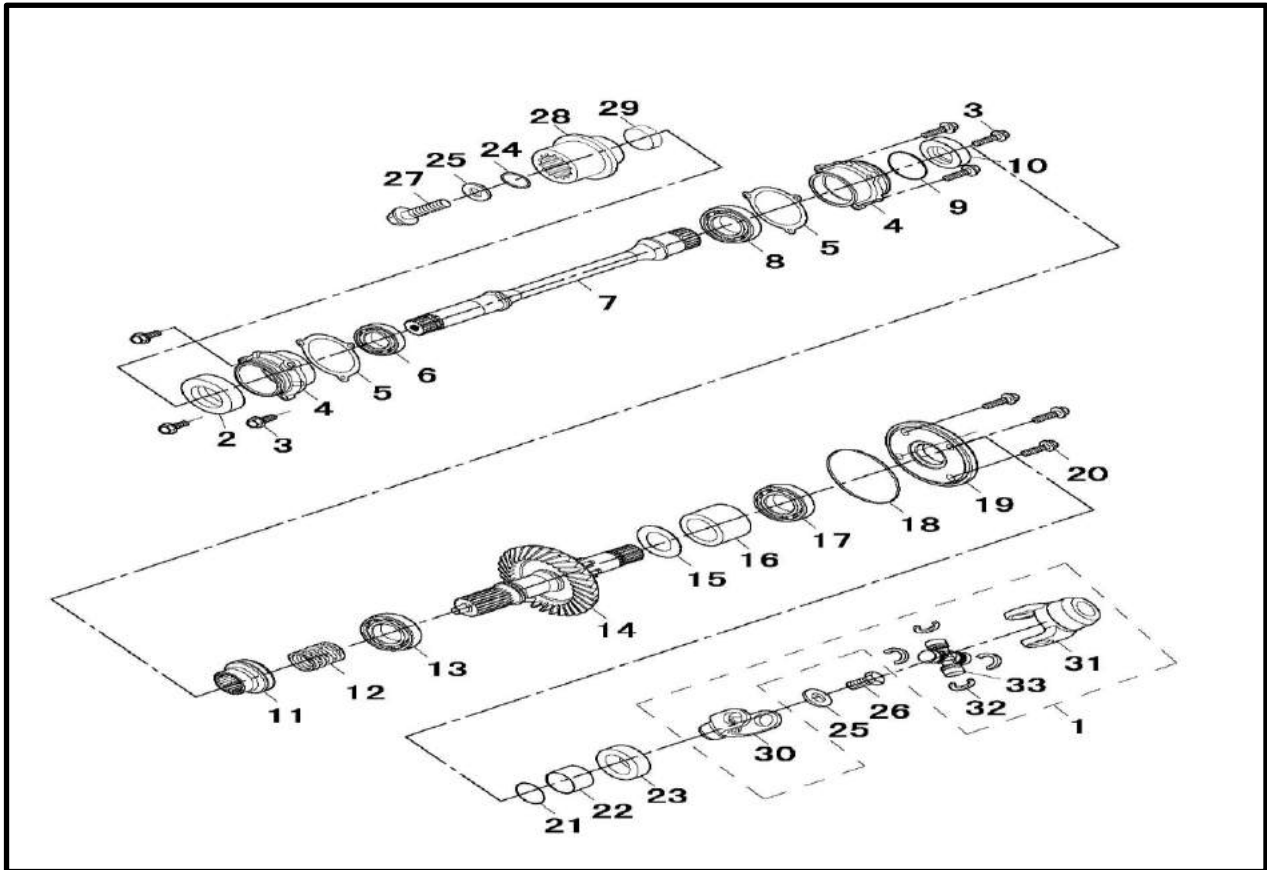
1	P010000153110000	Valve Piece
2	P010000931360000	Press Plate Valve piece
3	BGB5787-M6x14	Hexagon Flange Bolts M6x14
4	BGB70-M8x65	Hexagon socket head cap screws M8x65
5	BGB70-M8x55	Hexagon socket head cap screws M8x55
6	BGB5787-M6x70	Hexagon flange bolts M6x70
7	BGB5787-M6x75	Hexagon flange bolts M6x75
8	BGB5787-M6x35	Hexagon flange bolts M6x35
9	BGB5787-M6x65	Hexagon Flange Bolts M6x65
10	BGB5787-M6x20	Hexagon Flange Bolts M6x20
11	BGB5787-M6x85	Hexagon flange bolts M6x85
12	P010000153130000	Seal Oil cooler
13	P0120001551A0000	Oil Cooler Assy
14	BGB70-M6x14	Hexagon socket head cap screws M6x14
15	BGB897-M10x60-F	Stud M10x1.25x60
16	BGB6187.2-M10	Self-locking Nut M10x1.25
17	BGB897-M10x75-F	Stud M10x1.25x75
18	PJ00000908020400	Pin Dowel 12x16

# Transmission Shaft



1	P0100002241A0022	Cross U-Joint Assy (Ø22 )
2	PJ00000911013200	Oil Seal 25×47×7
3	BGB5787-M6×20	Hexagon Flange Bolts M6×20
4	P010000111110000	Y Shaft Bearing Block
5	P010000111160000	Gasket Y Shaft Bearing Block
6	BGB276-6005	Bearing 6005
7	P012000224050000	Output Shaft Y
8	BGB276-6906	Bearing 6906
9	PJ00000912015200	O-Ring 45×2.5
10	PJ00000911013000	Oil Seal 30×47×7
11	P010000224070000	Shift Sleeve Shaft Y
12	P010000111170000	Transmission Shaft Spring
13	BGB276-6206	Bearing 6206
14	P012000224100200	Transmission Shaft Y
15	PJ00000906005200	Washer 30×40×0.5
16	P010000111180000	Bushing Ø30×Ø42×22.5

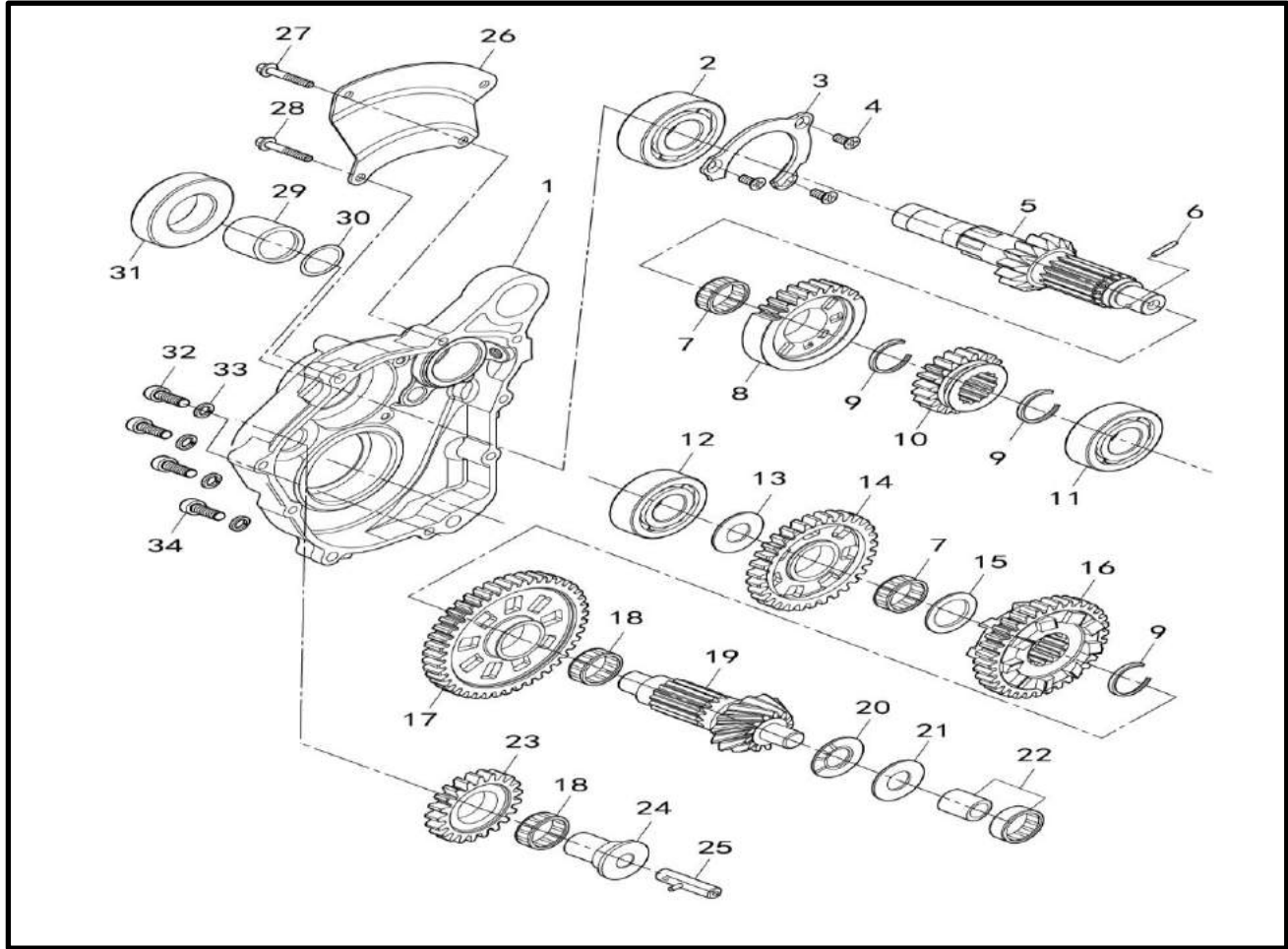
# Transmission Shaft



17	BGB276-6305	Bearing 6305
18	PJ00000912017400	O-Ring 90×3
19	P010000111150000	Y Shaft Bearing Block II
20	BGB5787-M8×25	Hexagon flange bolts M8×40
21	PJ00000912013300	O-Ring 25×2.4
22	P010000222620000	Bushing Ø25×Ø32×18
23	PJ00000911013100	Oil Seal 32×47×7
24	PJ00000912013300	O-Ring 25×2.4
25	PJ00000906000700	Washer 10×32×5
26	BGB5783-M10×1.25×25	Hexagon Head Bolts M10×1.25×25
27	BGB5787-M10×1.25×25	Hexagon flange bolts M10×1.25×25
28	P012000224310000	Coupling Rear Drive
29	P012000224330000	Bushing Coupling
30	P010000224110022	Yoke A (Ø22)
31	PJ00000254000200	Yoke C (Ø22)
32	BGB960-22	Snap Ring Ø22
33	P0100002241B0022	U-Joint Assy (Ø22)



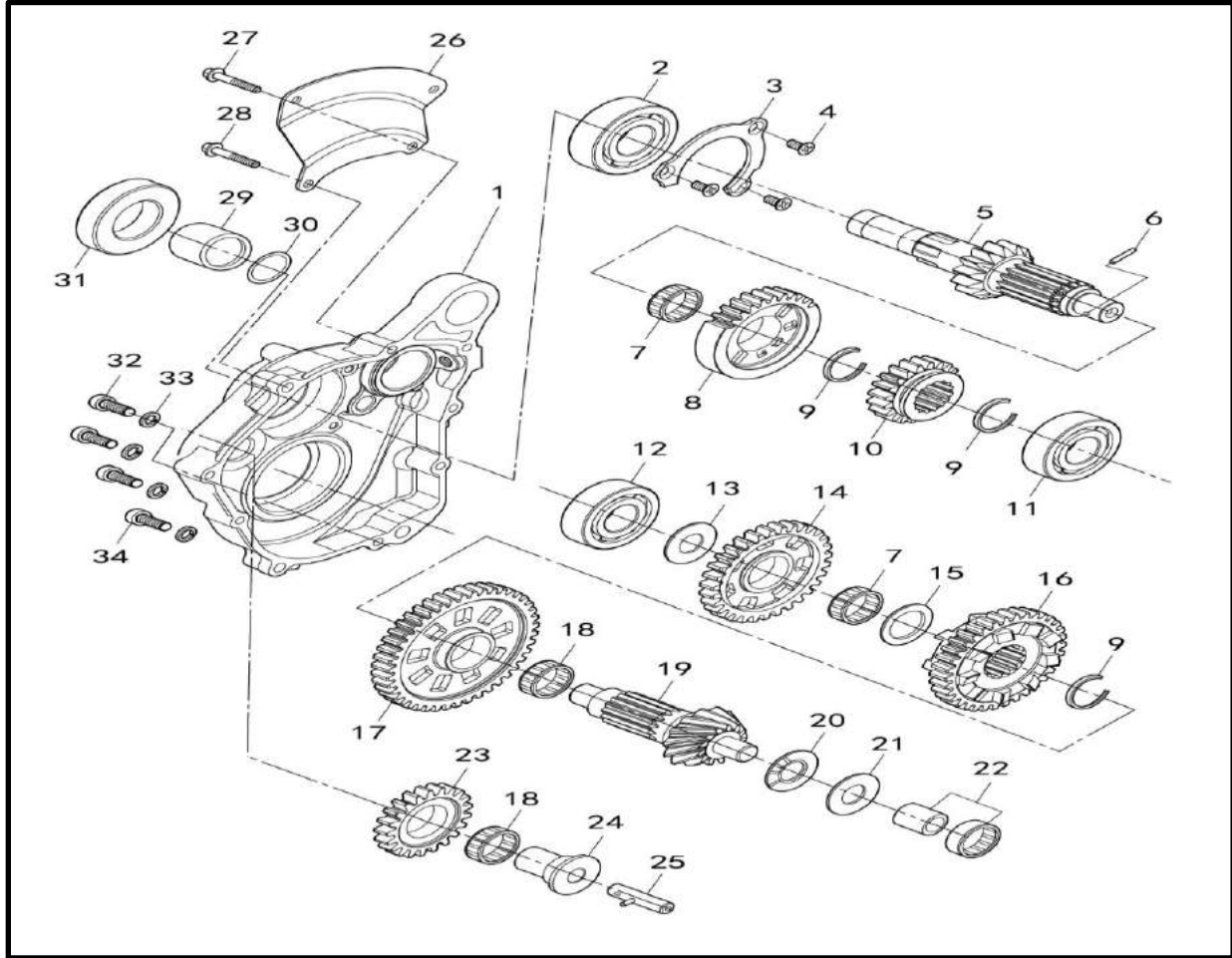
# Gearbox Transmission



1	P010000227210000	Gearbox Cover
2	BGB276-6305	Bearing 6305
3	P010000110130000	Press Plate Main Shaft Bearing
4	BGB819.1-M6×12	Cross recessed countersunk head screw M6×12
5	P010000222010000	Transmission Main Shaft
6	PJ00000908010300	Pin Ø2×18
7	P252913937000000	Needle Bearing 25×29×12.6
8	P012000223120000	H Driving Gear
9	PJ00000907000200	Circlip for shaft Ø27×Ø32×2
10	P012000223110000	L Driving Gear
11	BGB276-6204DU	Bearing 6204 DU
12	BGB276-6403	Bearing 6403
13	PJ00000906004800	Washer 17.3×34×2
14	P012000223230000	R Driven Gear
15	PJ00000906005000	Washer 25.4×33×1

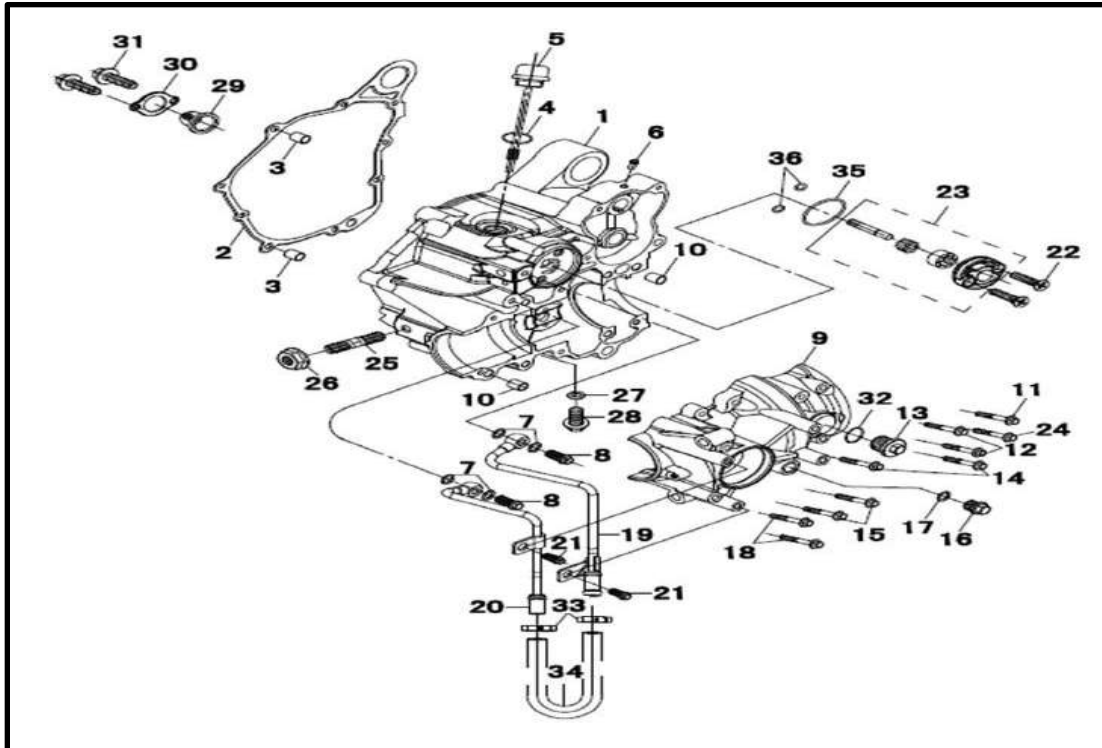


# Gearbox Transmission



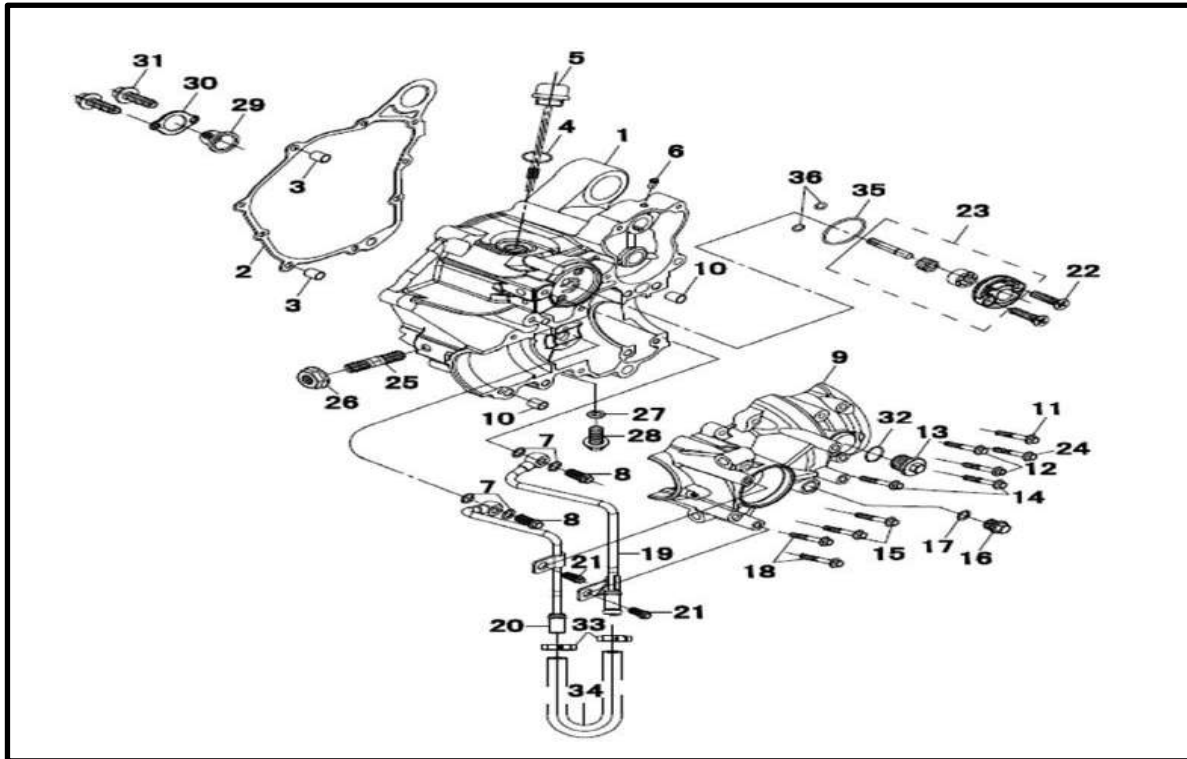
16	P012000223220000	H Driven Gear
17	P012000223210000	L Driven Gear
18	P252910937000000	Needle Bearing 25×29×9.6
19	P012000222020200	Transmission Countershaft
20	P152802937000000	Needle Bearing AXK15×28×2
21	PJ00000906004400	Washer 15.3×32×1.5
22	P192716937000000	Needle Bearing NBI19×27×16
23	P010000223240000	R Idle Gear
24	P010000222030000	R Idle Gear Shaft
25	P010000222040000	Reverse Gear-shaft 12×56
26	P010000115060000	Bracket Clutch Outer Cover
27	BGB5787-M6×35	Hexagon flange bolts M6×35
28	BGB5787-M6×45	Hexagon Flange Bolts M6×45
29	P010000222620100	Bushing Ø25×Ø32×11.5
30	PJ00000912013300	O-Ring 25×2.4
31	PJ00000911013100	Oil Seal 32×47×7
32	BGB70-M8×40	Hexagon Socket Head Cap Screws M8×40
33	BGB93-8	Spring Washer Ø8
34	BGB70-M8×45	Hexagon socket head cap screws M8×45

# Gear Box



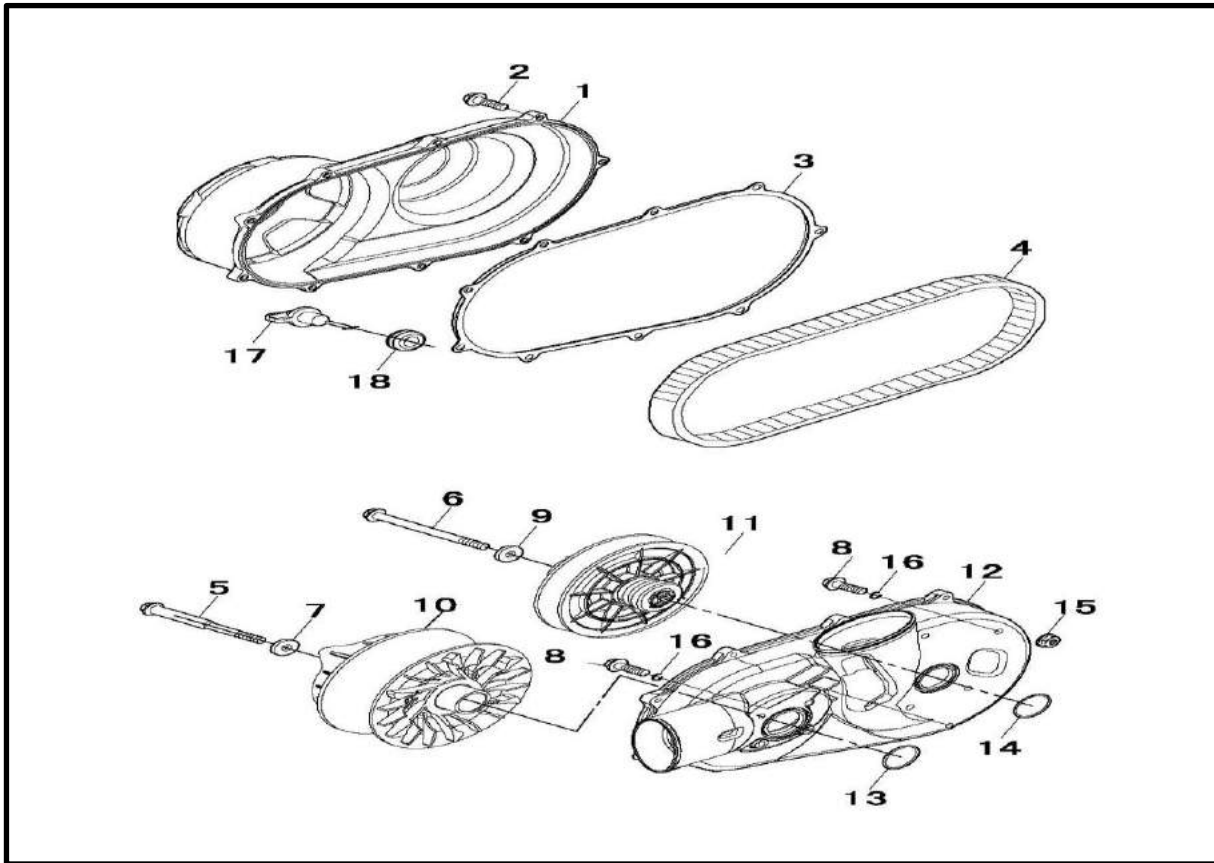
1	P012000227500000	Gearbox Casing Assy
2	P010000227010000	Gearbox Gasket
3	PJ00000908020300	Pin Dowel 10×16
4	PJ00000912012400	O-Ring 18×3.5
5	P010000156500000	Oil Dipstick
6	P010000227520001	Exhaust Pipe joint
7	PJ00000906020200	Copper Washer 8.4×15×1.2
8	P004000153010000	Bolts For Oil Tube M8×25
9	P010000227310000	Gearbox Cover
10	PJ00000908020100	Pin Dowel 8×12
11	BGB5787-M6×55	Hexagon Flange Bolts M6×55
12	BGB70-M8×55	Hexagon socket head cap screws M8×55
13	P010000227320000	Hexagon flange Screw Plug M20×1.5×12
14	BGB70-M8×30	Hexagon socket head cap screws M8×30
15	BGB5787-M6×30	Hexagon Flange Bolts M6×30
16	PJ00000904050200	Hexagon flange Screw Plug M12×1.5×15
17	PJ00000906020600	Copper Washer 12×20×2
18	BGB5787-M6×85	Hexagon flange bolts M6×85

# Gear Box



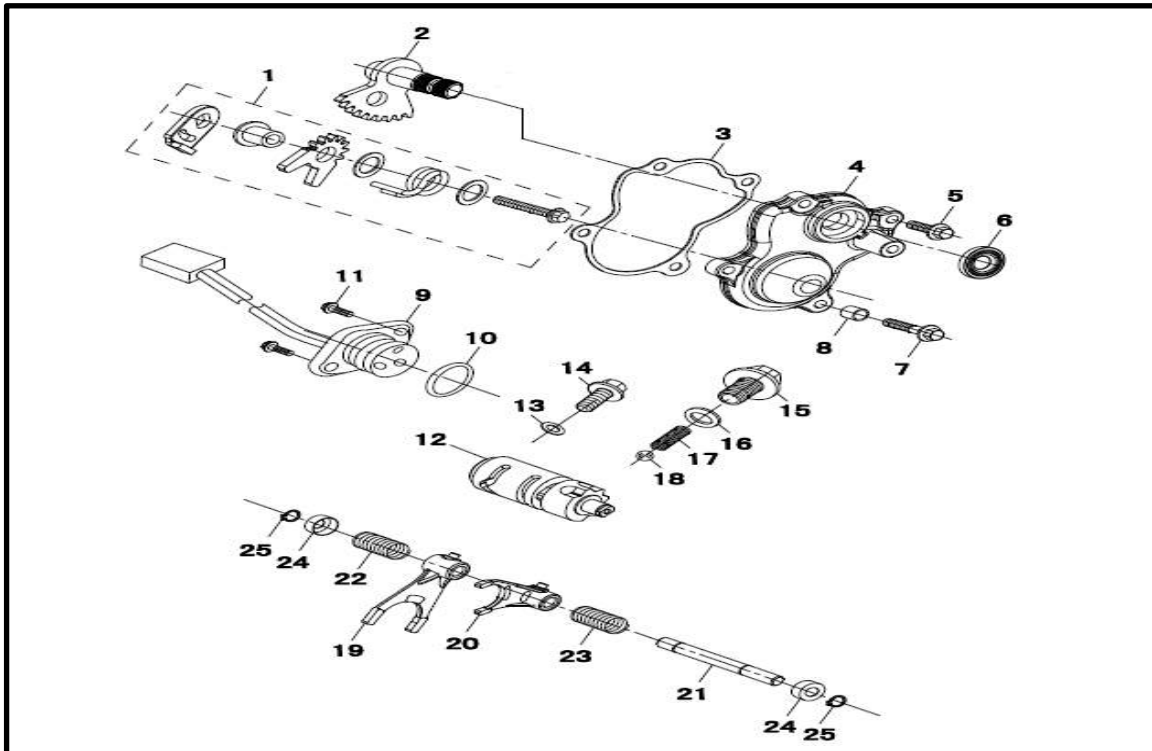
19	P0120001532A0000	Oil Tube Welding Assy B
20	P0120001533A0000	Oil Tube Welding Assy A
21	BGB70-M8×16	Hexagon Socket Head Cap Screws M8×16
22	BGB819.1-M6×30	Cross recessed countersunk head screw M6×30
23	P010000151100200	Oil Pump Assy (Gear Box)
24	BGB5787-M6×50	Hexagon Flange Bolts M6×50
25	BGB897-M10×50-F	Stud M10×1.25×50
26	BGB6187.2-M10	Self-locking Nut M10×1.25
27	PJ00000906010700	Aluminum Washer 14×20×1.5
28	P010000110150000	Screw Plug M14×1.5×16
29	P010000152030000	Oil Filter Strainer
30	P024000224120000	Holder Drive sprocket
31	BGB5787-M6×12	Hexagon Flange Bolts M6×12
32	PJ00000912012300	O-Ring 18×2.4
33	PJ00000907300000	Hose Clamp Assy Ø12~Ø20
34	P010000153070460	Rubber Oil Pipe 460
	P010000153071280	Rubber Oil Pipe 1280
	P012000153070760	Rubber Oil Pipe 760
35	PJ00000912015100	O-Ring 44×2
36	PJ00000912010200	O-Ring 6×2

# Clutch



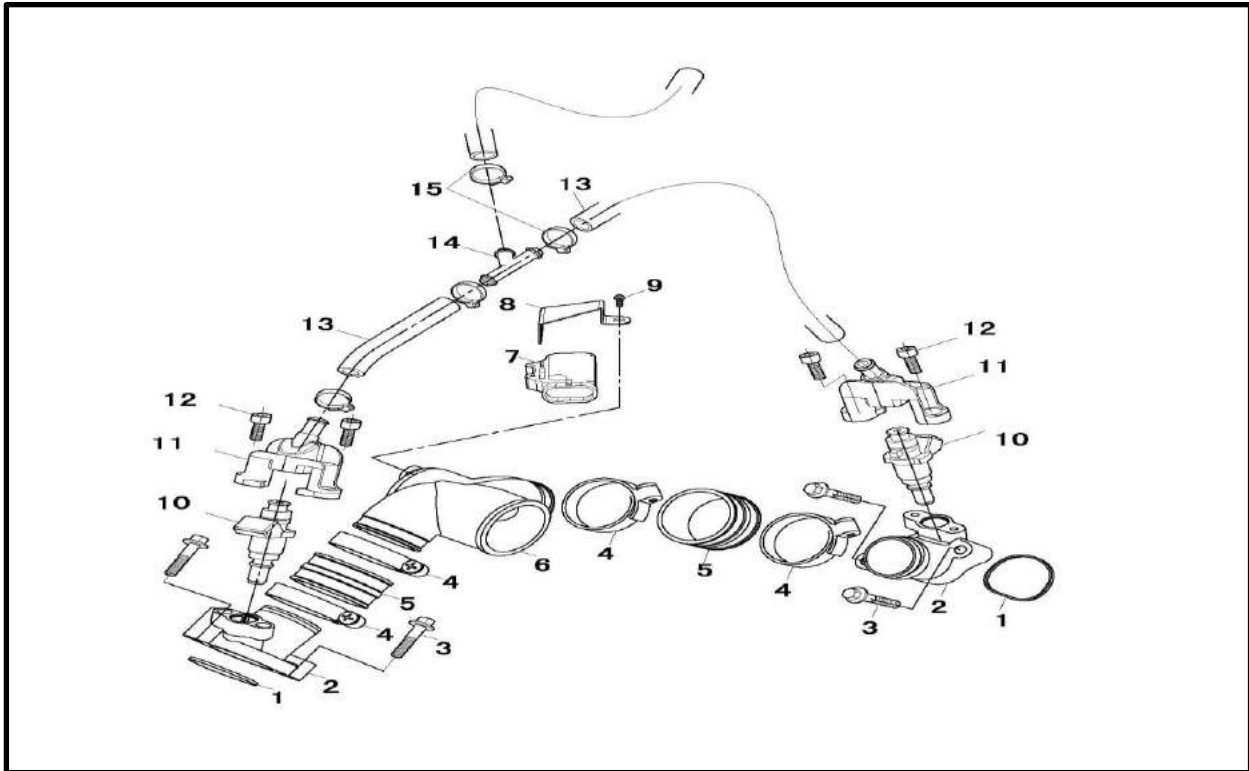
1	P0100001152A0000	Cover Clutch Outer
2	BGB5789-M6×28	Hexagon flange bolts M6×30
3	P010000115230000	Seal Clutch Cover
4	P012000213000004	Cvt Belt
5	P010000214010000	Bolts M12×145
6	P010000214020000	Bolts M10×110
7	PJ00000906004000	Washer 12×30×3
8	BGB5787-M6×22	Hexagon flange bolts M6×22
9	P010000211060000	Bushing Ø11×Ø30×8
10	P012000211000000	Driver Pulley Assy
	P012000211000100	Driver Pulley Assy
11	P010000212000000	Driven Pulley Assy
12	P0100001151A0000	Cover Clutch Inner
13	PJ00000912015900	O-Ring 56.75×3.53
14	PJ00000912015600	O-Ring 50×4
15	BGB6187.2-M6	Self-Locking Nut M6
16	BGB93-6	Spring Washer Ø6
17	P003000115040000	Drain Plug Clutch Cover
18	P003000115030000	Damper

# Shift Cam Fork



1	P0040002321A0000	Shift Mechanism Assy
2	P0120002332A0000	Fan Gear Shift Assy
3	P004000114220000	Gasket Shift shaft Cover
4	P004000114210000	Shift shaft Cover
5	BGB5787-M6×20	Hexagon Flange Bolts M6×20
6	PJ00000911011000	Oil Seal 15×25×5
7	BGB5787-M6×30	Hexagon Flange Bolts M6×30
8	PJ00000908020100	Pin Dowel 8×12
9	P012000365500000	Sensor Gear Shift Indicator
10	PJ00000912013800	O-Ring 29.6×2.4
11	BGB9074.14-M6×16	Hexagon Head Bolt And Plain Washer Assemblies M6×16
12	P010000232000000	Drum Shift
13	PJ00000906010400	Aluminum Washer 10×16×1.2
14	BGB5787-M10×1.25×16	Hexagon Flange Bolts M10×1.25×16
15	P003000233150000	Hollow Bolts M14×1.5×21
16	PJ00000906020700	Copper Washer 14×21×1
17	P002000233020000	Spring 24×1
18	BGB308-9.5	Steel Ball 9.5
19	P010000231020000	Shifting Fork I
20	P010000231010000	Shifting Fork II
21	P010000231310000	Shift Rail
22	P010000231070000	Spring Gear R&L
23	P010000231050001	Spring Gear H
24	P004000231060000	Spring Seat Shift Rail
25	BGB894.1-12	Circlip For Shaft Ø12

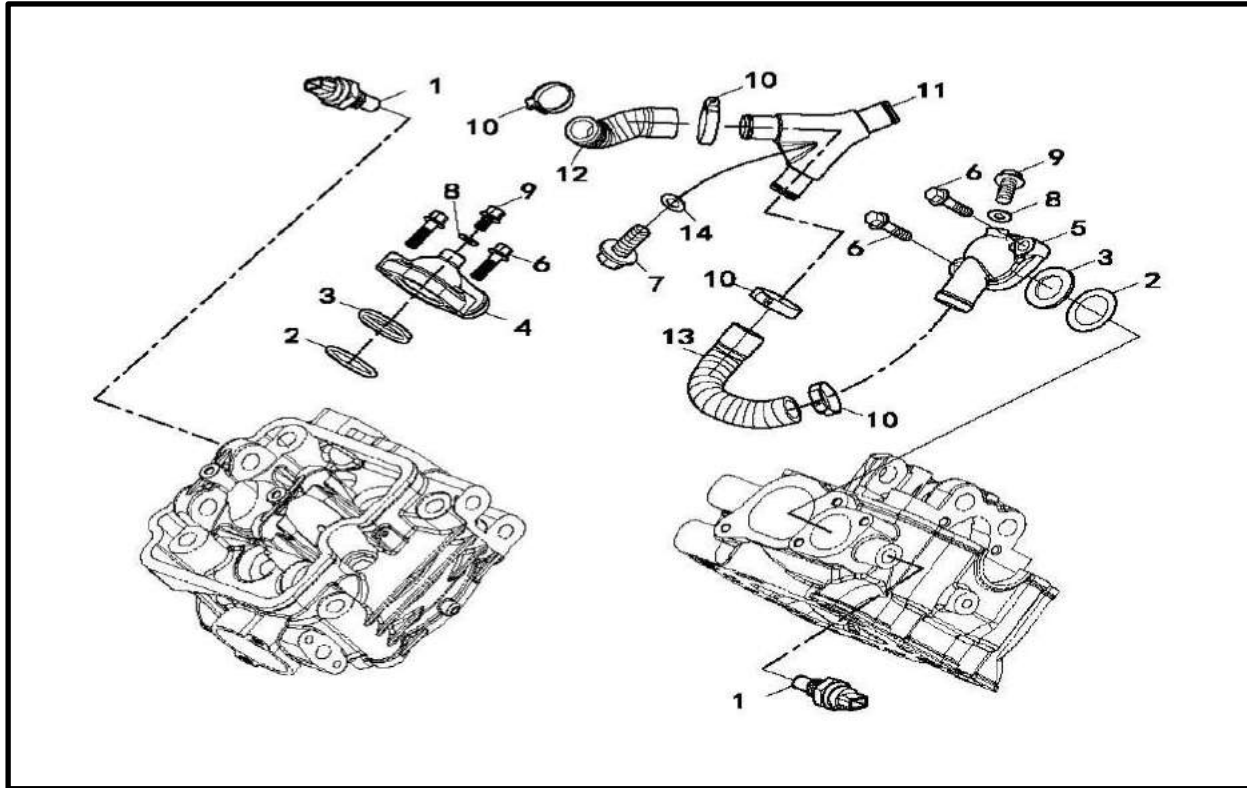
# Intake Manifold



1	P010000124050000	Seal intake-tube 1PK-N862C-4
2	P0120001241A0000	Intake-Tube Assy
3	BGB5787-M8×40	Hexagon flange bolts M8×40
4	PJ00000907300700	Hose Clamp Assy Ø40~Ø60
5	P012000124010000	Intake-Tube Joint
6	P0120001241A0100	Three-way Pipe Joint
7	P010000391500000	Temperature/Pressure Sensor
8	P010000167010000	Press Plate Temp
9	BGB9074.4-M4×8	Cross Recessed Pan Head Screw, Single Coil Spring Lock Washer Assemblies M4×8
10	P012000165300000	Fuel Injector (25384016)
11	P010000164300000	Permanent Seat II Fuel Injector
12	BGB70-M6×20	Hexagon Socket Head Cap Screws M6×20
13	P010000165110000	Fuel Pipe Ø8×Ø14×80
14	P010000165210000	Three-way Pipe
15	PJ00000907200000	Clamp Ø14.8
16	P017000124010000	Intake-Tube Joint

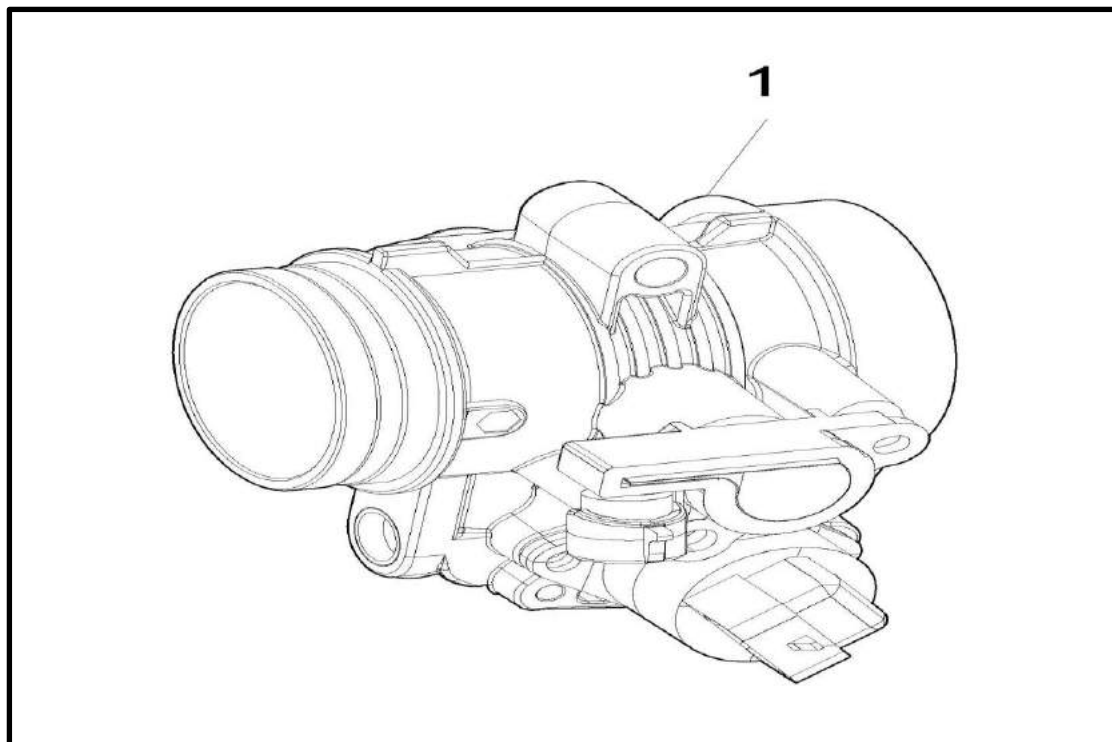


# Cooling Water Pipe



1	P010000391300000	Water Temperature Sensor
2	PJ00000906011000	Aluminum Washer 20.5×30×1
3	P010000194110000	Seal thermostat cover
4	P010000190090000	Cover Thermostat
5	P012000190090100	Cover Thermostat II
6	BGB5787-M6×25	Hexagon Flange Bolts M6×25
7	PJ00000904050200	Hexagon flange Screw Plug M12×1.5×15
8	PJ00000906010100	Aluminum Washer 6×12×1.5
9	BGB5787-M6×12	Hexagon Flange Bolts M6×12
10	PJ00000907300300	Hose Clamp Assy Ø20~Ø32
11	P010000190020000	Three-way Pipe
12	P012000190060000	Hose Cylinder II Outlet
13	P012000190070000	Hose Cylinder I Water Out
14	PJ00000906010600	Aluminum Washer 12.5×20×2

# Throttle Body



1	P012000164000000	Throttle Body Assy (D54A)
	P012000164000001	Throttle Body Assy (D54A)